



drawer systems

**IREX**<sup>®</sup>  
Solutions

**IREX**<sup>®</sup>

# IREX SYSTEM

## In Box ( IR BOX-IN)



### Specifications

### Damping

- Loading capacity : 40kg
- Adjustment range : top/bottom +/- 2mm, left right +/-1.5mm
- Back plate height : 70mm
- Color : Metallic Silver

## Drawer( IR BOX-NS)



### Specifications

### Damping

- Loading capacity : 40kg
- Adjustment range : top/bottom +/- 2mm, left right +/-1.5mm
- Back plate height : 70mm
- Color : Metallic Silver

## Gallery ( IR BOX-GA)



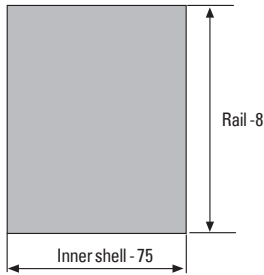
### Specifications

### Damping

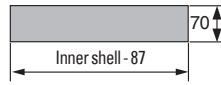
- Loading capacity : 40kg
- Adjustment range : top/bottom +/- 2mm, left right +/-1.5mm
- Back plate height : 120mm
- Color : Metal Silver

## Cutting

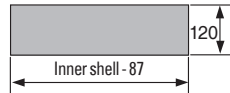
1. Foundation size



2. Back plate (In, Drawer)



3. Back plate ( Gallery)



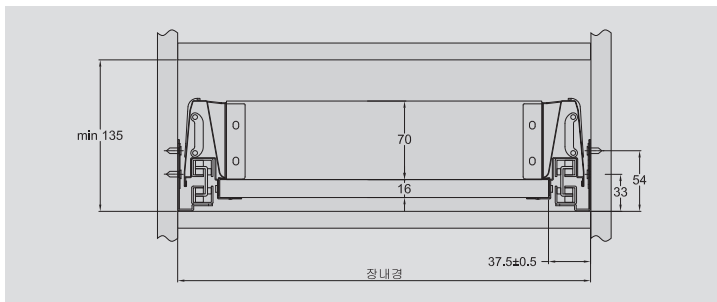
\* Front plate for In box : Inner shell - 85

| Item name                  | Cutting Dimension<br>( basis :500mm , outer dimension) |                 |
|----------------------------|--|-----------------|
|                            | 600mm  | 1000mm          |
| Base plate (15 T standard) | 495(W) x 492(D)  | 895(W) x 492(D) |
| Back plate (15 T standard) | Drawer   | 483(W) x 70(D)  |
|                            | Gallery  | 483(W) x 120(D) |

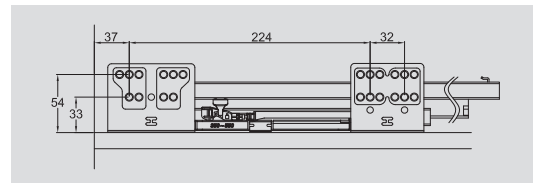
\*\* Install the drawer on the rail from 1mm higher position.



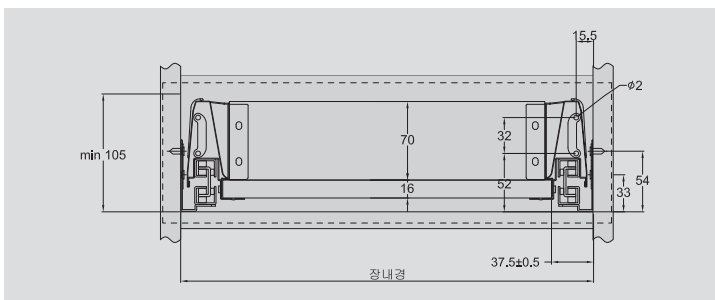
## Drawer's diagram



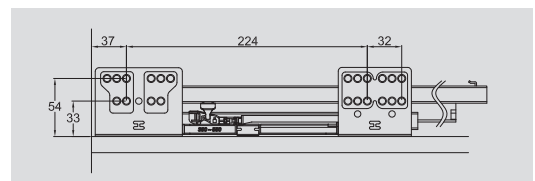
Location of side plate mounting ( In box)



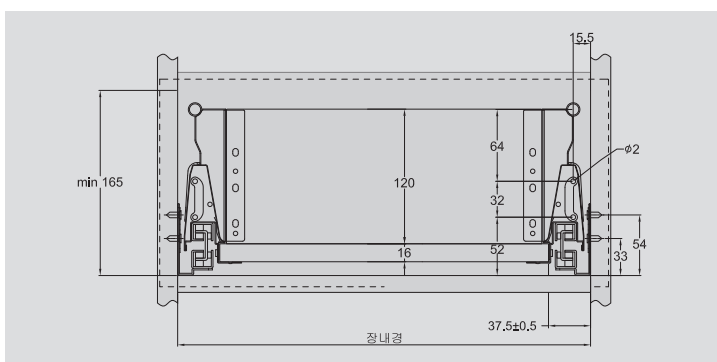
## Drawer's diagram



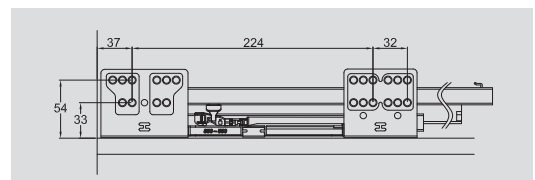
Location of side plate mounting (Drawer)



## Drawer's diagram



Location of side plate mounting ( Gallery)



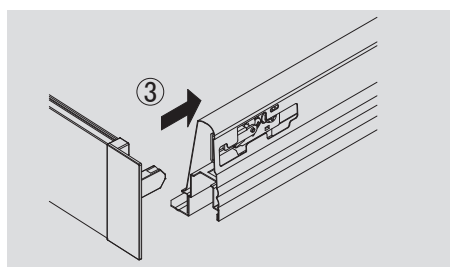
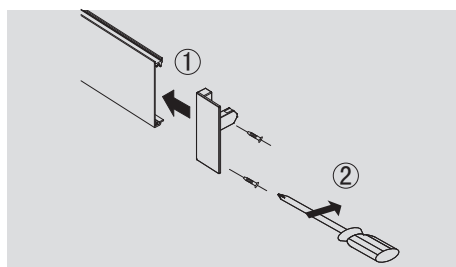


**IREX BOX®** | max loading capacity

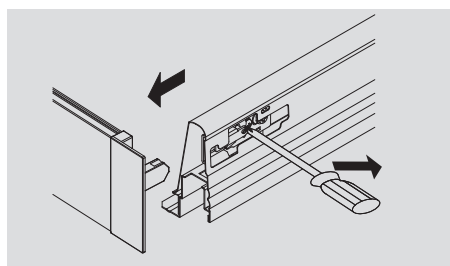
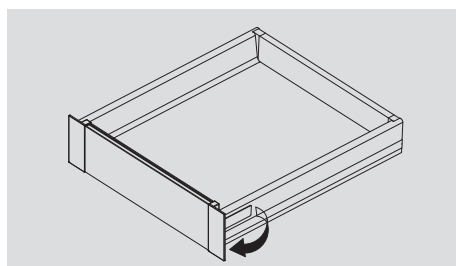


**IREX BOX®** | Use various space in the drawer

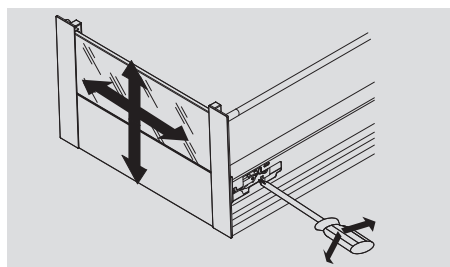
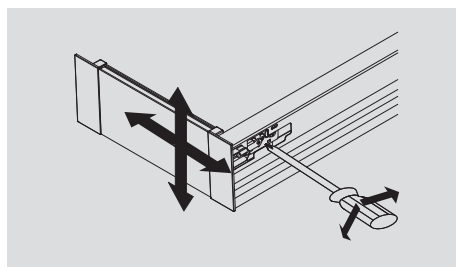
**Front panel bracket installation**



**Front panel assemble and disassemble method**

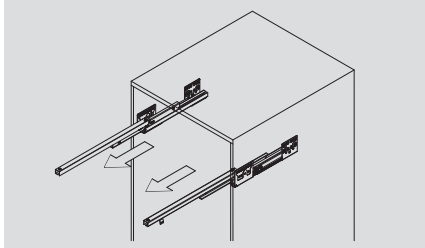


**Front panel adjustment up/down +/- 2mm , L/R +/- 2mm**

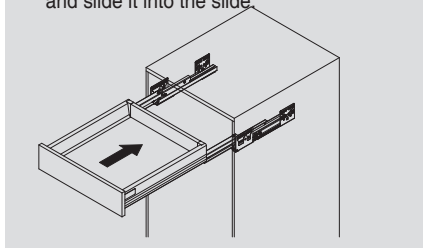


**IREX BOX installation and decomposition method**

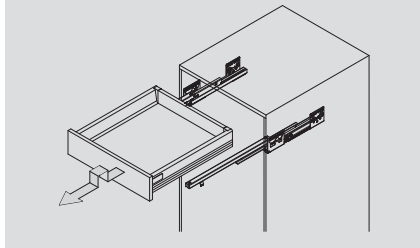
1. Lift out the rails on both sides.



2. Place the wood box on top of the slide and slide it into the slide.



3. Lift up the box for disassemble.





MEMO

# IREX SMART SYSTEM

## In Box (SM BOX-IN)



### Specifications

### Damping

- Loading capacity : 40kg
- Adjustment range : top/bottom +/- 2mm, left right +/-1.5mm
- Back plate height : 66mm
- Color : Metallic silver

## Drawer (SM BOX-NS)



### Specifications

### Damping

- Loading capacity : 40kg
- Adjustment range : top/bottom +/- 2mm, left right +/-1.5mm
- Back plate height : 66mm
- Color : Metallic silver

## Gallery (SM BOX-GA)



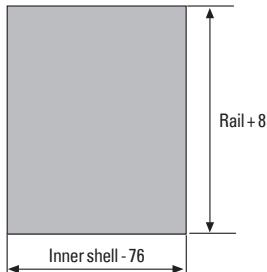
### Specifications

### Damping

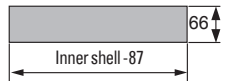
- Loading capacity : 40kg
- Adjustment range : top/bottom +/- 2mm, left right +/-1.5mm
- Back plate height : 144mm
- Color : metallic silver

## Foundation size

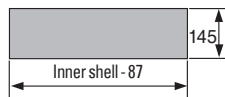
1. Bottom plate



2. Back plate (In, Drawer)



3. Back plate ( Gallery)

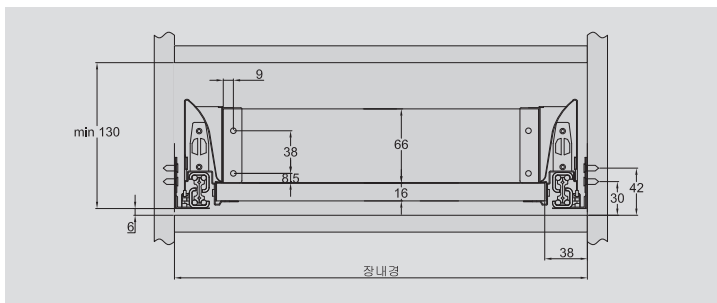


\* Front plate for In box : Inner shell - 80

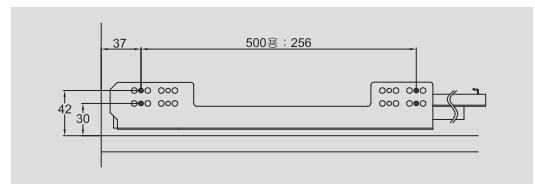
| Item name                  | Tailor's measure / 500mm drawer / Outer reference |                 |
|----------------------------|---|-----------------|
|                            | 600mm   | 1000mm          |
| Base plate (15 T standard) | 494(W) x 508(D)                                   | 894(W) x 508(D) |
| Back plate (15 T standard) | Drawer  | 483(W) x 66(D)  |
|                            | Gallery   | 483(W) x 145(D) |

\*\* Install the drawer on the rail from 1mm higher position.

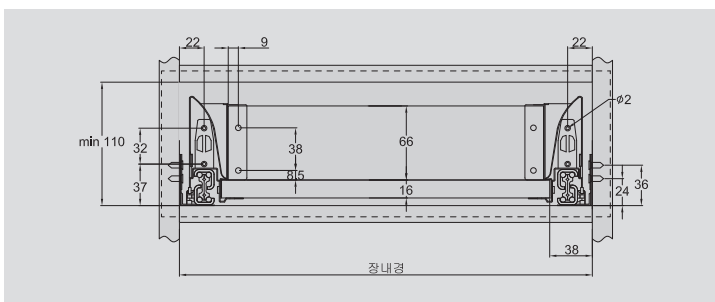
## Drawer's diagram



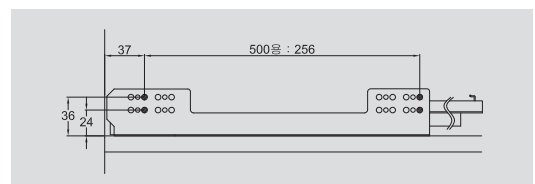
Location of side plate mounting ( In box)



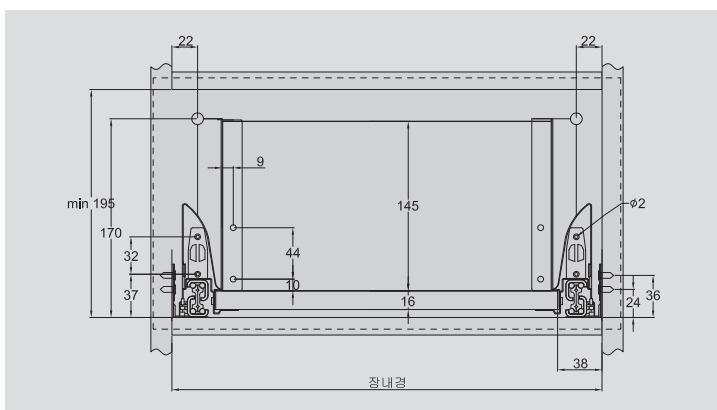
## Drawer's diagram



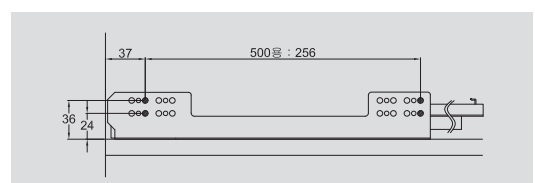
Location of side plate mounting (Drawer)



## Drawer's diagram



Location of side plate mounting ( Gallery)



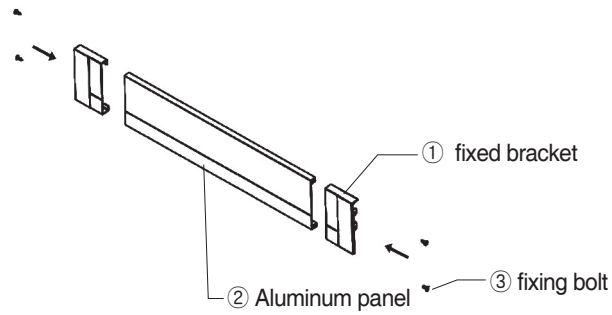


**SMART BOX®** | max loading capacity 30kg



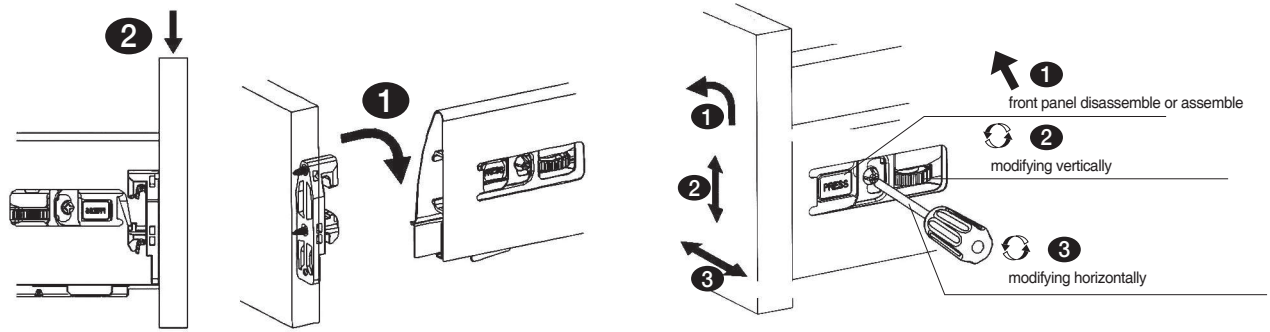
**SMART BOX®** | Use various space in the drawer

**IN Box installation method**



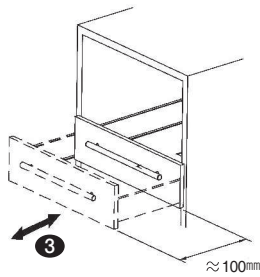
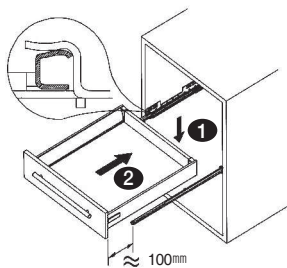
**Front panel adjustment range**

- How to install the front panel in a drawer

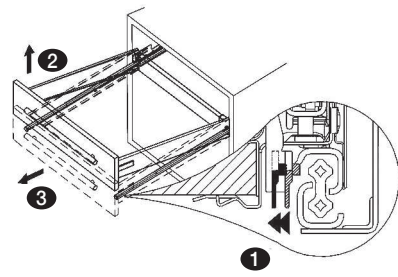


**Gallery Drawer (SM Box-GA)**

- Assemble case



- Disassemble case

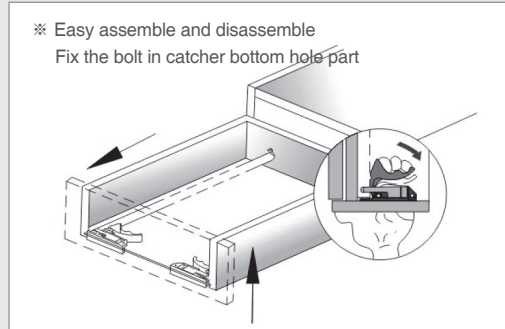
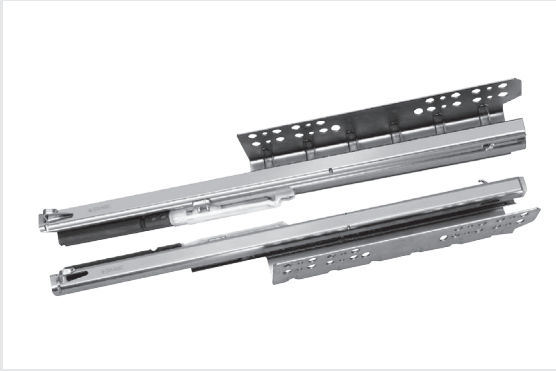




MEMO

# Damping Under Rail (Full Extension)

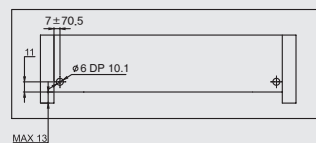
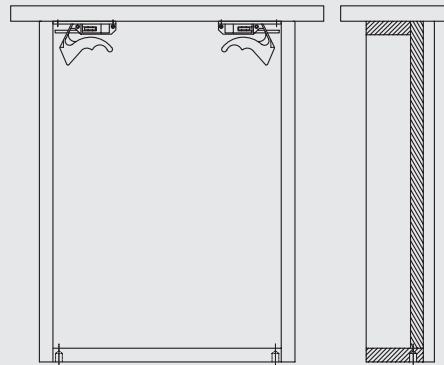
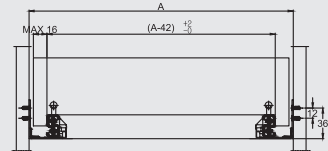
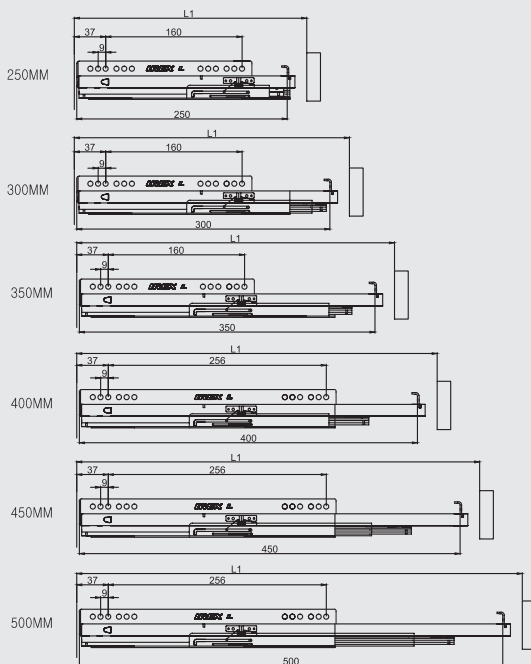
## IR-UD RAIL



| Model     | Rail | Max loading Capacity | Cabinet length |
|-----------|------|----------------------|----------------|
| IR-UD 250 | 250  | 30kg                 | L+20mm         |
| IR-UD 300 | 300  | 30kg                 | L+20mm         |
| IR-UD 350 | 350  | 40kg                 | L+20mm         |
| IR-UD 400 | 400  | 40kg                 | L+20mm         |
| IR-UD 450 | 450  | 40kg                 | L+20mm         |
| IR-UD 500 | 500  | 40kg                 | L+20mm         |

## Installation

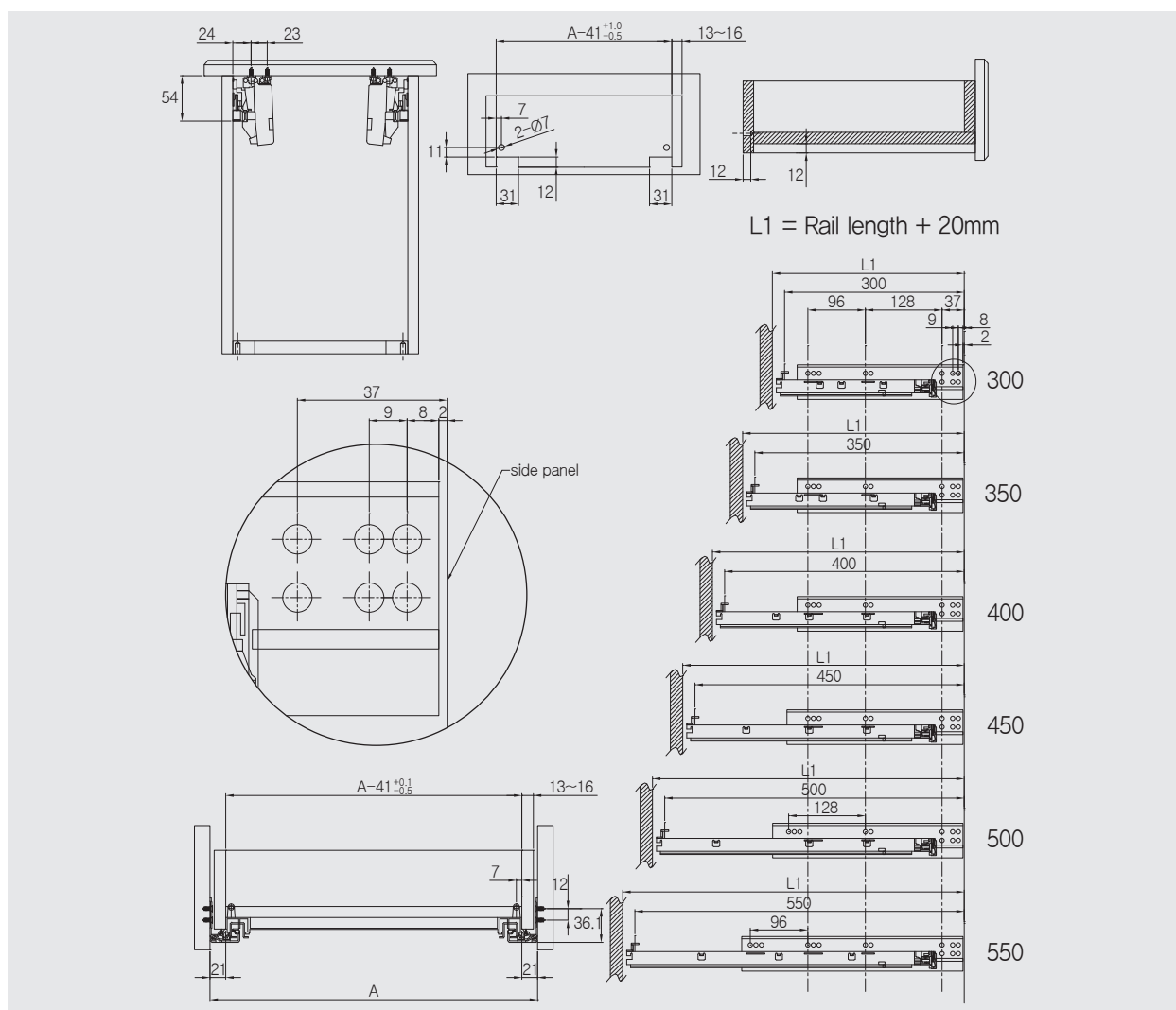
Drawer Size = Rail Size - 2mm  
L1 = Cabinet Size  
L1 = Drawer Size + over 20mm



IREX-UD RAIL



Installation

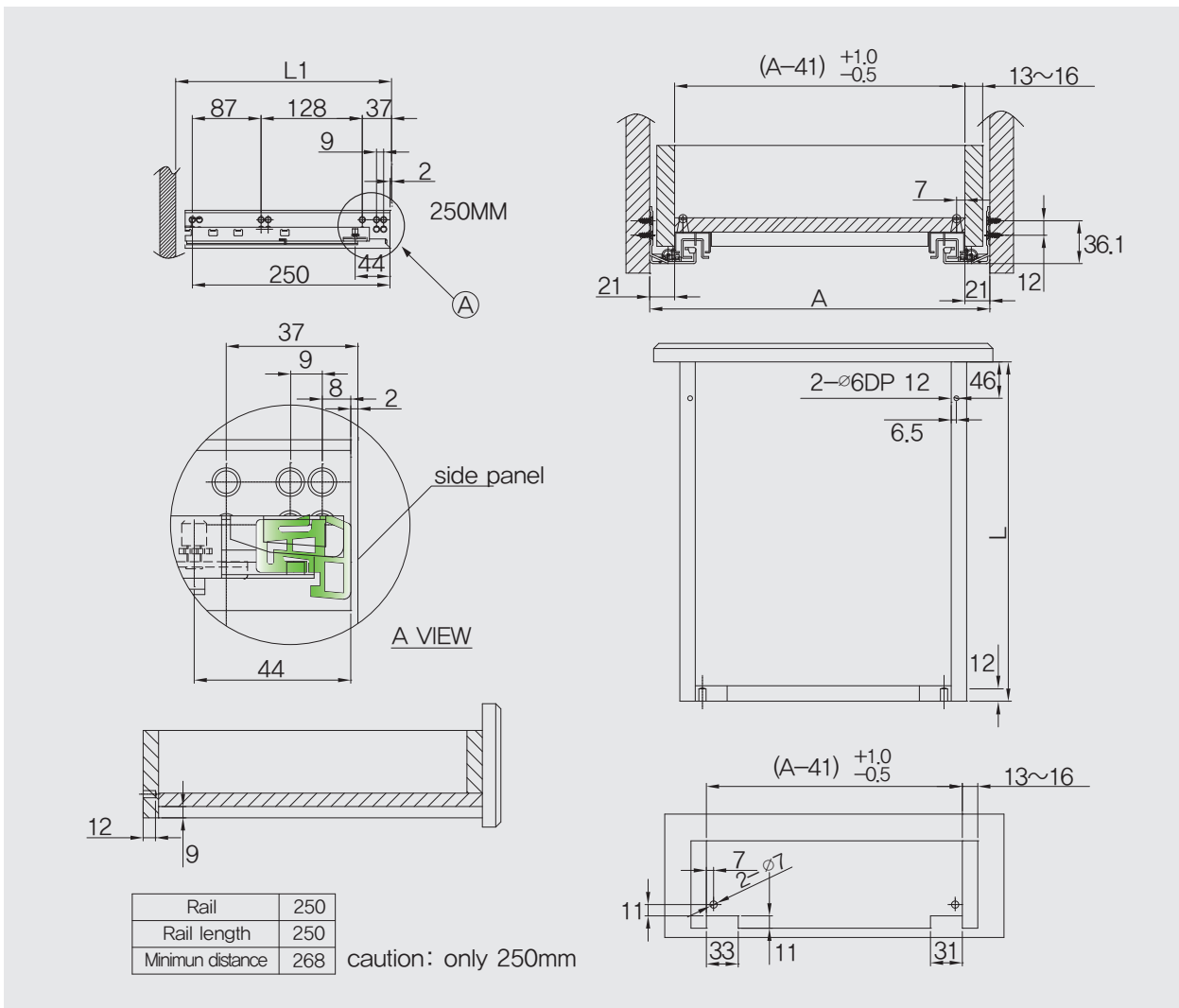


# Damping Under Rail (Full Extension)

## IRES-UD RAIL(250mm only)



## Installation

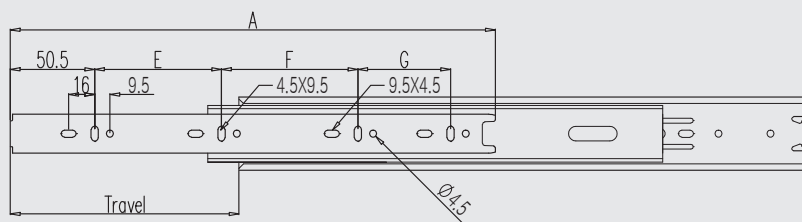
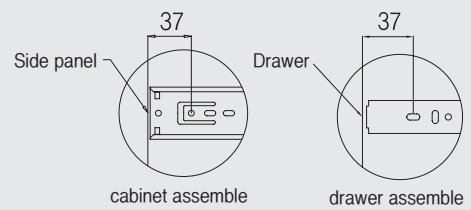
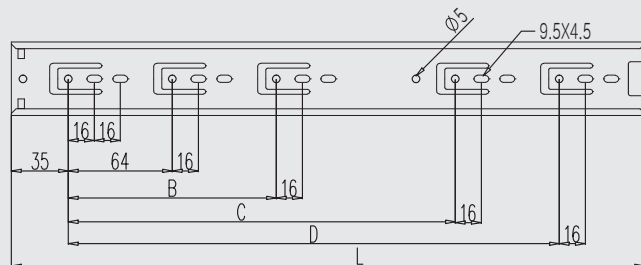


IREX-BR SLIDE

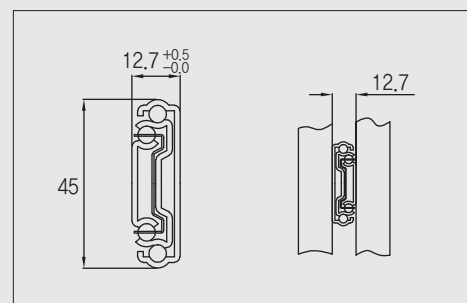


Installation

Size : 250mm~500mm(250mm~550mm)



| L   | Travel | A     | B   | C   | D   | E   | F   | REMARKS |
|-----|--------|-------|-----|-----|-----|-----|-----|---------|
| 250 | 255    | 247.5 | 160 | -   | -   | 160 | -   |         |
| 300 | 291    | 297.5 | 224 | -   | -   | 96  | 128 |         |
| 350 | 341    | 347.5 | -   | -   | 224 | 128 | 128 |         |
| 400 | 391    | 397.5 | 224 | -   | 302 | 128 | 160 |         |
| 450 | 441    | 447.5 | 224 | 352 | -   | 160 | 192 |         |
| 500 | 491    | 497.5 | 224 | 352 | -   | 192 | 192 |         |
| 550 | 541    | 547.5 | 224 | 352 | 416 | 224 | 224 |         |



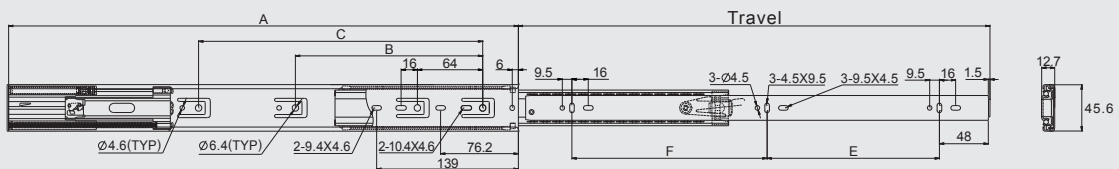
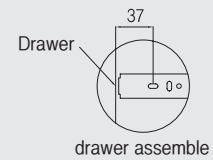
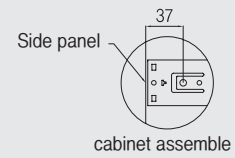
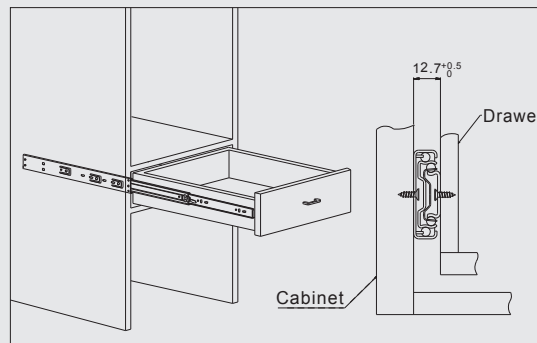


# Damping Ball Slide (Full Extension)

## IREX-DB SLIDE



## Installation



| Product code  | Length of slide A | Travel | B   | C   | E   | F   |
|---------------|-------------------|--------|-----|-----|-----|-----|
| 4505HC-02-350 | 350               | 350    | 160 | /   | 96  | 160 |
| 4505HC-02-400 | 400               | 400    | 224 | /   | 128 | 160 |
| 4505HC-02-450 | 450               | 450    | 224 | 288 | 160 | 192 |
| 4505HC-02-500 | 500               | 500    | 224 | 320 | 192 | 192 |
| 4505HC-02-550 | 550               | 550    | 224 | 384 | 224 | 224 |
| 4505HC-02-600 | 600               | 600    | 256 | 416 | 224 | 256 |

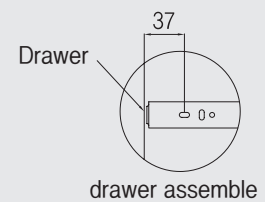
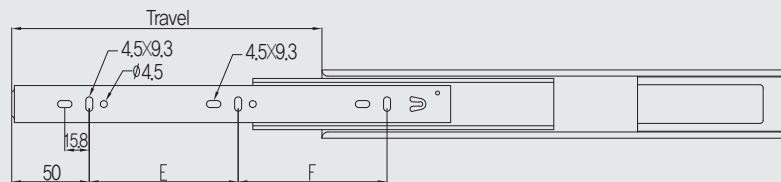
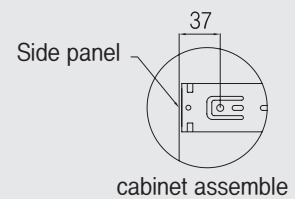
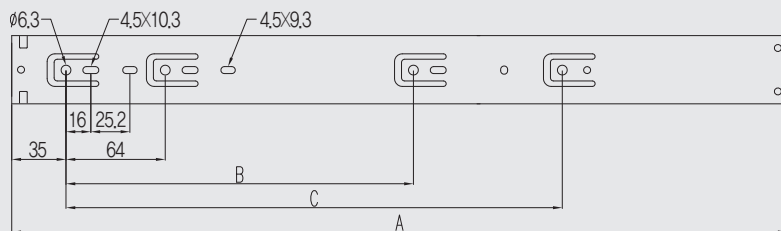
## NEW IREX-DB SLIDE



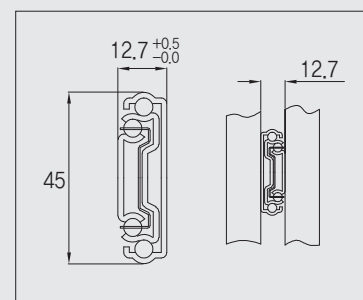
### Installation

Size : 300mm~600mm(damping 300mm~600mm) - NEW TYPE

※ Caution – carefully fixing the bolt as of dwg.



| Product Code  | A   | Travel | B   | C   | E   | F   | REMARKS |
|---------------|-----|--------|-----|-----|-----|-----|---------|
| 4505HC-02-300 | 300 | 300    | -   | -   | 96  | 96  |         |
| 4505HC-02-350 | 350 | 350    | 160 | -   | 96  | 96  |         |
| 4505HC-02-400 | 400 | 400    | 224 | -   | 160 | 128 |         |
| 4505HC-02-450 | 450 | 450    | 224 | -   | 160 | 160 |         |
| 4505HC-02-500 | 500 | 500    | 224 | 320 | 224 | 160 |         |
| 4505HC-02-550 | 550 | 550    | 224 | 352 | 224 | 192 |         |
| 4505HC-02-650 | 600 | 600    | 224 | 384 | 224 | 224 |         |





**IREX®**

**삼성정밀공업(주)**

[www.irex.co.kr](http://www.irex.co.kr)

Head office, Factory : 167, Bongsu-daero, Seo-gu, Incheon, Korea

Tel : 82-70-7101-9352 / Fax : 82-32-577-3366

e-mail: [jhonkim@irex.co.kr](mailto:jhonkim@irex.co.kr)

[irex@irex.co.kr](mailto:irex@irex.co.kr)