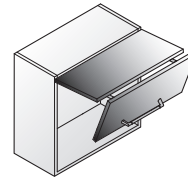






# FREEfold

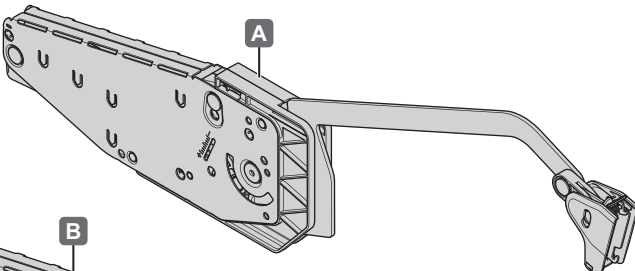
by Kesseböhmer



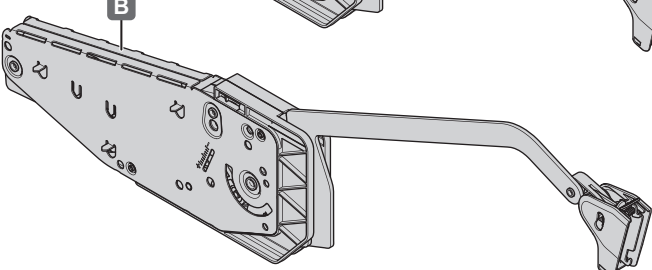
<http://support.kesseboehmer.de/freefold>



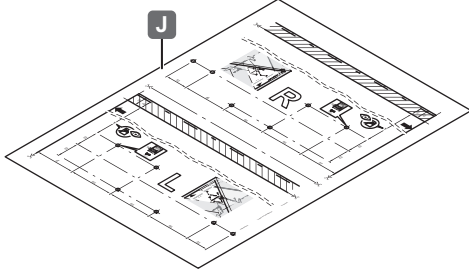





**A**



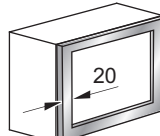
**B**



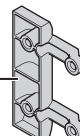
**J**



**E** 2x




**H**



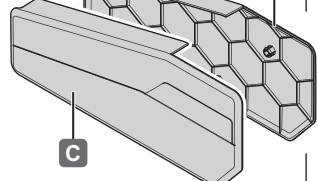
**I**

2x **H** 2718510006

8x **I** 4 x 8

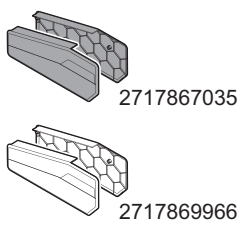


**C**

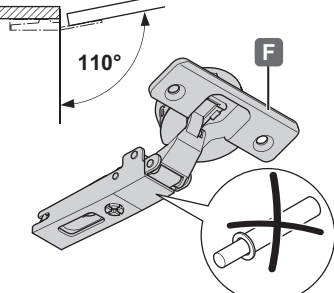


**D**

2717867035

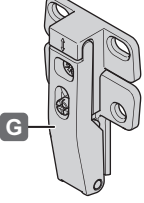


2717869966




**F**


110°





**G**

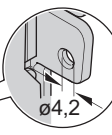


Ø4,2




Ø6,3

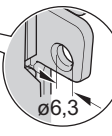
|            |  |
|------------|--|
| 2715590006 | (  )      |
| 2715580006 | (  Euro ) |







eTOUCH



eTOUCH



eTOUCH

4029060000

07/2014

12.0001.010.412.0000.00

KESSEBÖHMER

| i               |               |                |                | mm          |            |
|-----------------|---------------|----------------|----------------|-------------|------------|
|                 |               |                |                |             |            |
|                 | KH: 450 - 480 | 16             | 2,8 - 5,7 kg   | <b>B1fo</b> | 2718570006 |
|                 |               |                | 5,6 - 11,3 kg  | <b>B3fo</b> | 2718580006 |
|                 |               |                | 8,3 - 16,3 kg  | <b>B4fo</b> | 2718590006 |
|                 | KH: 480 - 530 | 21             | 2,6 - 5,2 kg   | <b>C1fo</b> | 2718610006 |
|                 |               |                | 5,2 - 10,6 kg  | <b>C3fo</b> | 2718620006 |
|                 |               |                | 7,8 - 15,1 kg  | <b>C4fo</b> | 2718630006 |
|                 | KH: 520 - 590 | 36             | 2,4 - 4,9 kg   | <b>D1fo</b> | 2718650006 |
|                 |               |                | 4,8 - 9,8 kg   | <b>D3fo</b> | 2718660006 |
|                 |               |                | 7,2 - 14,1 kg  | <b>D4fo</b> | 2718670006 |
|                 |               |                | 11,8 - 23,3 kg | <b>D5fo</b> | 2718680006 |
|                 | KH: 580 - 650 | 50             | 2,2 - 4,4 kg   | <b>E1fo</b> | 2718690006 |
|                 |               |                | 4,3 - 8,8 kg   | <b>E3fo</b> | 2718700006 |
|                 |               |                | 6,0 - 12,2 kg  | <b>E4fo</b> | 2718710006 |
|                 |               |                | 10,6 - 20,9 kg | <b>E5fo</b> | 2718720006 |
|                 | KH: 650 - 730 | 59             | 1,9 - 4,0 kg   | <b>F1fo</b> | 2718730006 |
|                 |               |                | 3,9 - 7,9 kg   | <b>F3fo</b> | 2718740006 |
| 5,8 - 11,6 kg   |               |                | <b>F4fo</b>    | 2718750006  |            |
| 9,5 - 18,7 kg   |               |                | <b>F5fo</b>    | 2718760006  |            |
| KH: 710 - 790   | 59            | 3,5 - 7,2 kg   | <b>G3fo</b>    | 2718780006  |            |
|                 |               | 5,2 - 10,3 kg  | <b>G4fo</b>    | 2718790006  |            |
|                 |               | 8,7 - 17,2 kg  | <b>G5fo</b>    | 2718800006  |            |
| KH: 770 - 840   | 69            | 3,2 - 6,7 kg   | <b>H3fo</b>    | 2718820006  |            |
|                 |               | 4,9 - 9,8 kg   | <b>H4fo</b>    | 2718830006  |            |
|                 |               | 8,0 - 15,5 kg  | <b>H5fo</b>    | 2718840006  |            |
| KH: 840 - 910   | 69            | 4,5 - 9,0 kg   | <b>I4fo</b>    | 2718870006  |            |
|                 |               | 7,3 - 14,6 kg  | <b>I5fo</b>    | 2718880006  |            |
| KH: 910 - 970   | 79            | 4,2 - 8,0 kg   | <b>J4fo</b>    | 2718910006  |            |
|                 |               | 6,80 - 13,5 kg | <b>J5fo</b>    | 2718920006  |            |
| KH: 960 - 1010  | 84            | 3,9 - 7,6 kg   | <b>K4fo</b>    | 2718950006  |            |
|                 |               | 6,5 - 12,8 kg  | <b>K5fo</b>    | 2718960006  |            |
| KH: 1000 - 1040 | 89            | 3,7 - 7,3 kg   | <b>L4fo</b>    | 2718990006  |            |
|                 |               | 6,2 - 12,3 kg  | <b>L5fo</b>    | 2719000006  |            |

4029060000

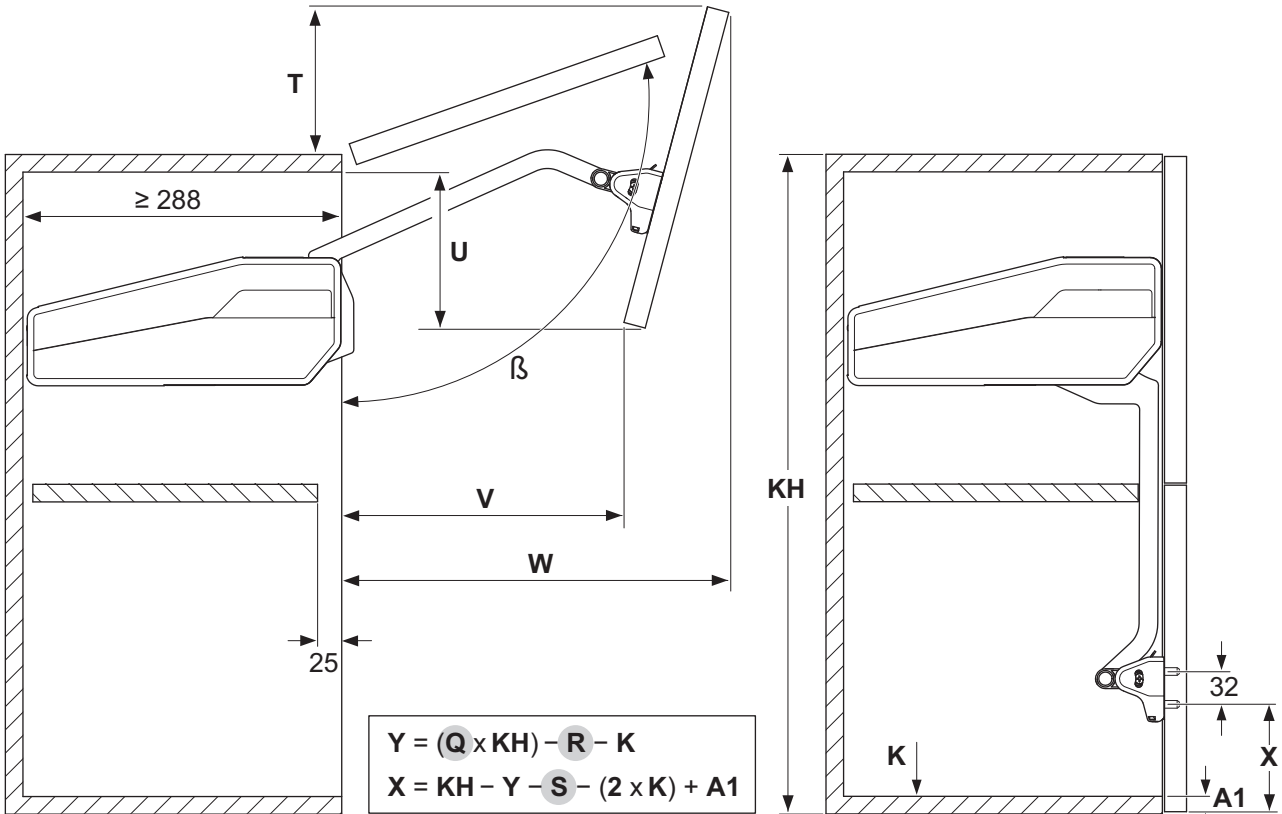
07/2014

12.0001.010.412.0000.00

KESSEBÖHMER

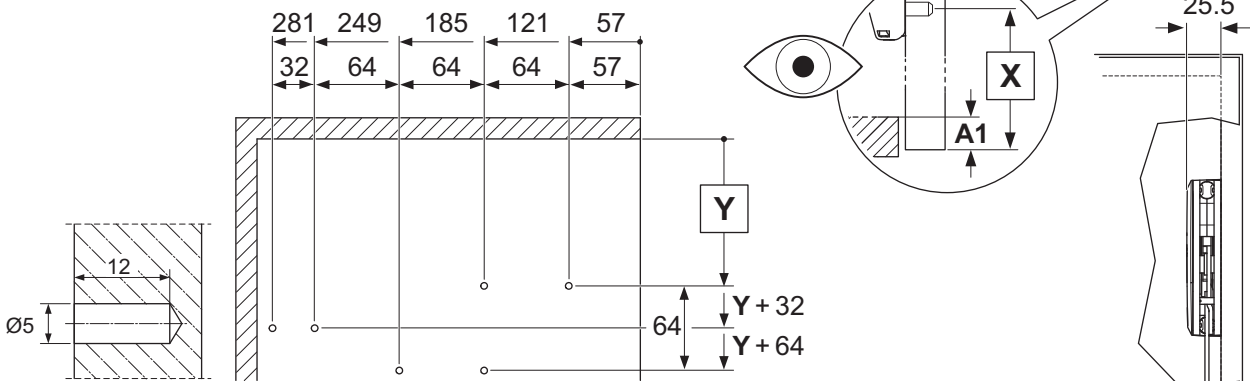
i

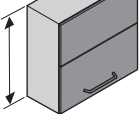
„mm“

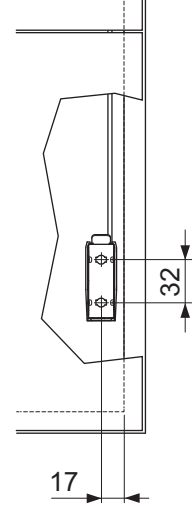


$$Y = (Q \times KH) - R - K$$

$$X = KH - Y - S - (2 \times K) + A1$$



|  | β<br>[°] | Q   | R   | S   | T       | U       | V       | W       |
|---|----------|-----|-----|-----|---------|---------|---------|---------|
| 450-480   | ~107-98  | 1,0 | 349 | 313 | 94-49   | 93-128  | 196-180 | 315-343 |
| 480-530   | ~107-96  | 1,1 | 426 | 328 | 100-37  | 100-155 | 203-186 | 328-370 |
| 520-590   | ~107-93  | 1,1 | 466 | 347 | 106-23  | 112-184 | 213-190 | 347-401 |
| 580-650   | ~108-95  | 1,2 | 589 | 377 | 119-40  | 126-197 | 227-207 | 375-430 |
| 650-730   | ~107-94  | 1,2 | 664 | 409 | 124-38  | 147-224 | 238-215 | 411-470 |
| 710-790   | ~108-95  | 1,2 | 736 | 439 | 136-46  | 161-233 | 250-219 | 439-500 |
| 770-840   | ~108-95  | 1,0 | 644 | 467 | 146-43  | 179-223 | 267-200 | 466-527 |
| 840-910   | ~108-98  | 1,2 | 882 | 501 | 154-70  | 195-248 | 272-231 | 502-559 |
| 910-970   | ~107-98  | 1,1 | 865 | 533 | 160-78  | 214-246 | 282-225 | 536-588 |
| 960-1010  | ~107-100 | 1,1 | 915 | 557 | 170-99  | 228-251 | 295-240 | 560-605 |
| 1000-1040   | ~107-102 | 1,1 | 954 | 576 | 177-120 | 239-256 | 306-256 | 578-616 |



4029060000

07/2014

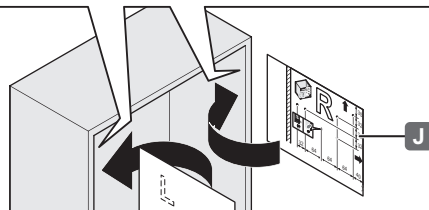
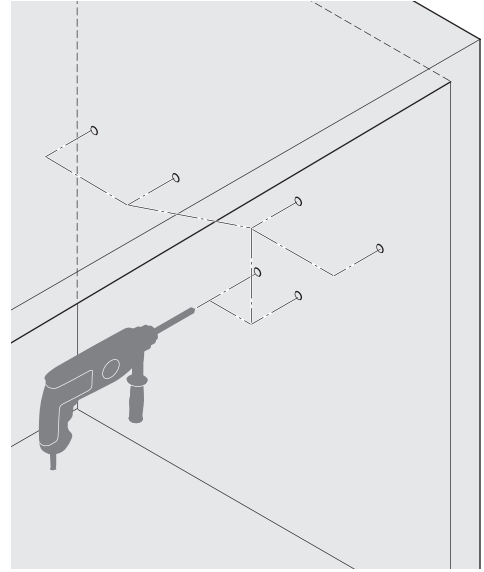
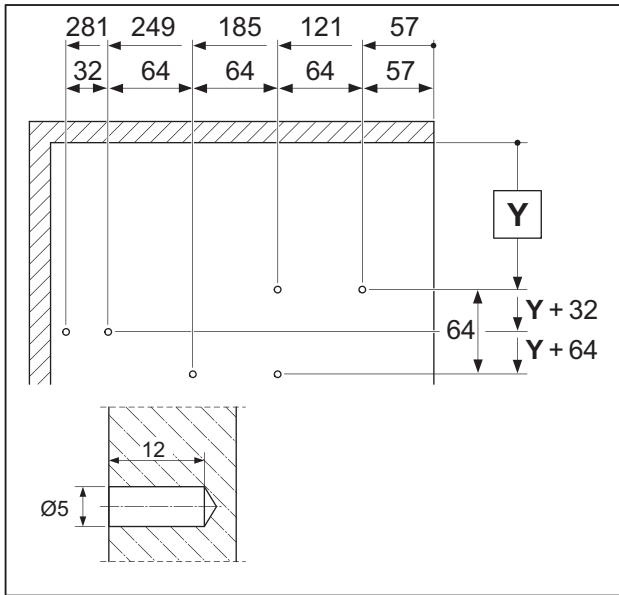
12.0001.010.412.0000.00

KESSEBÖHMER

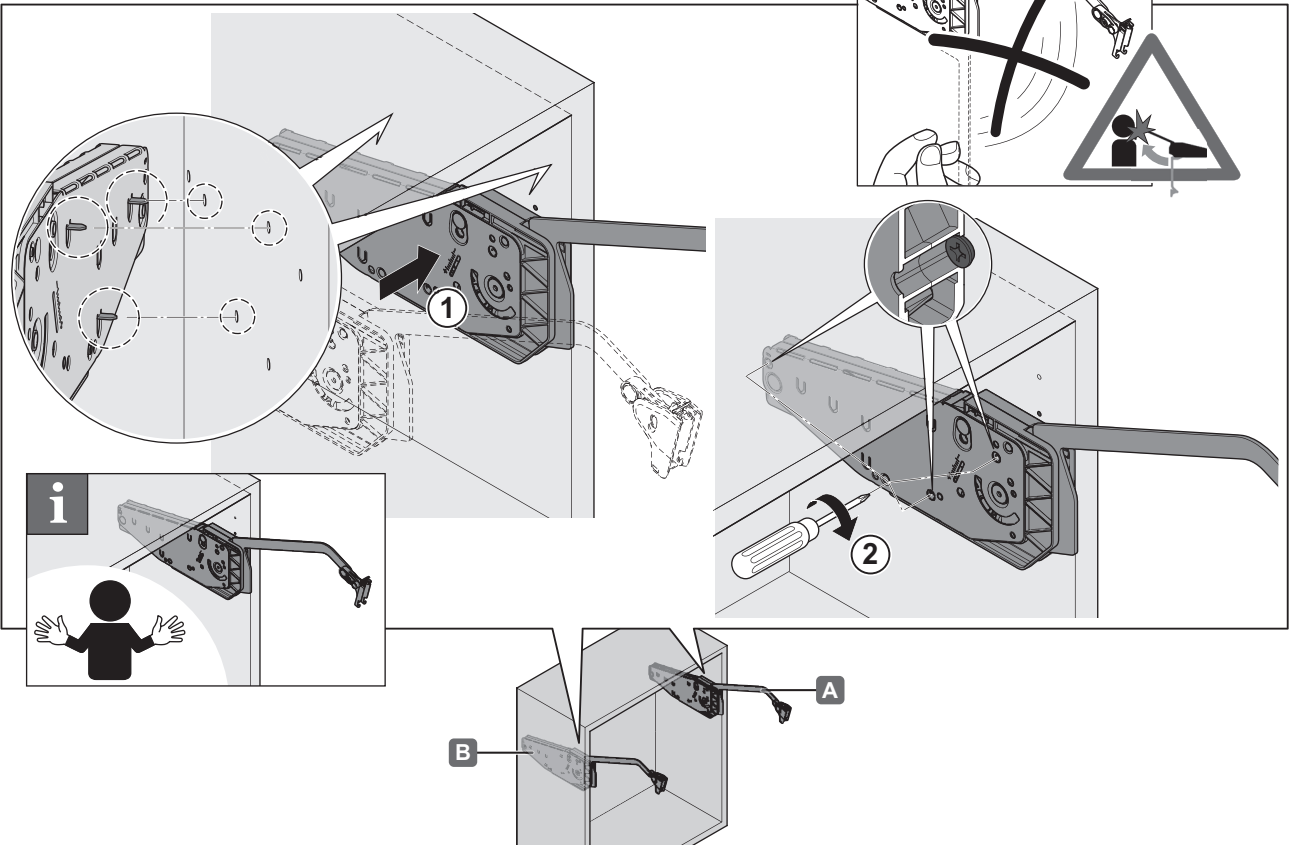
1



„mm“



2



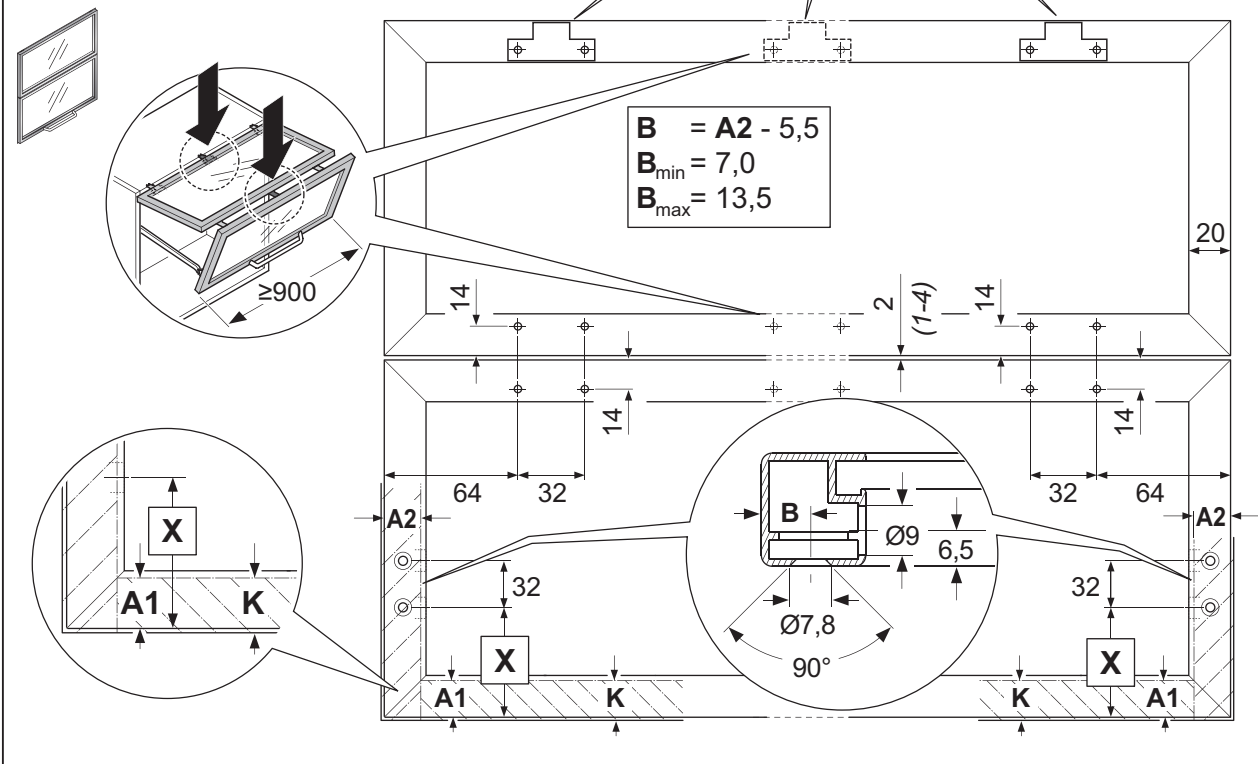
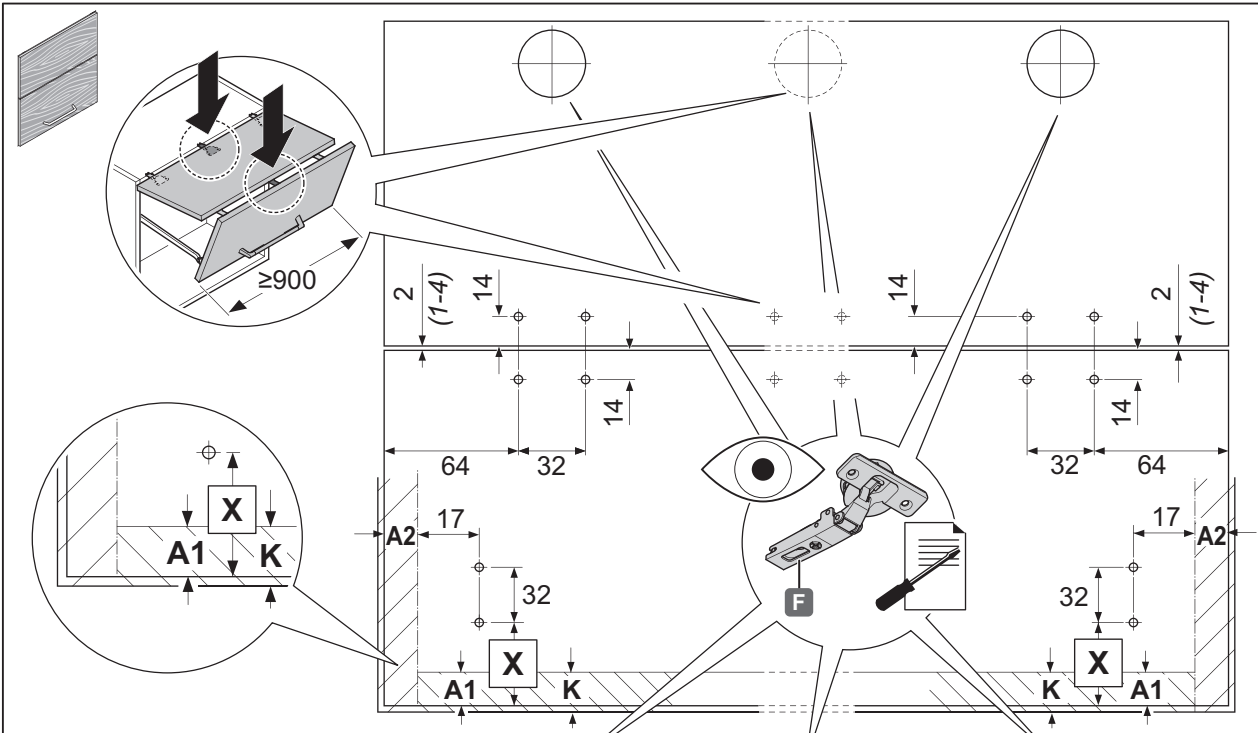
4029060000

07/2014

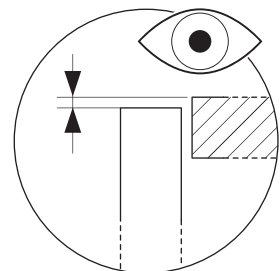
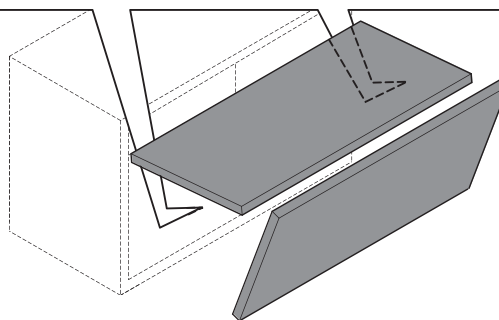
12.0001.010.412.0000.00

KESSEBÖHMER

3



$$X = KH - Y - S - (2 \times K) + A1$$



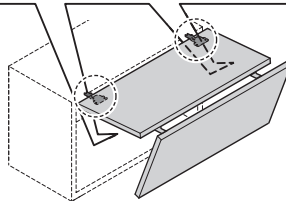
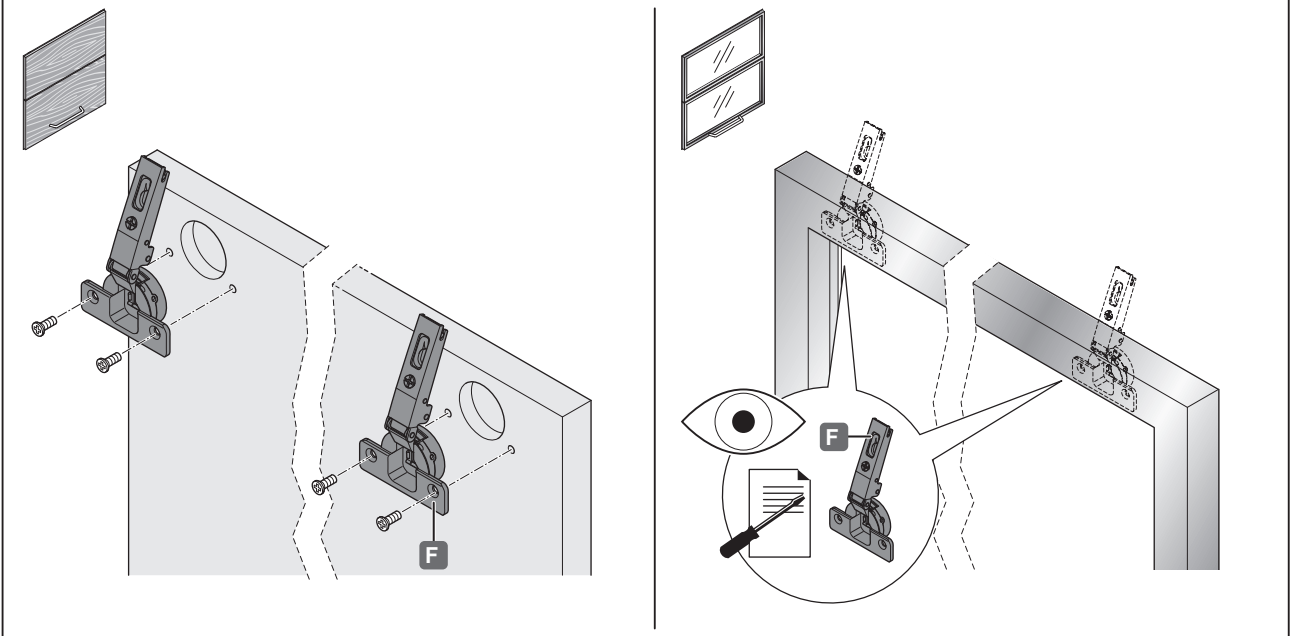
4029060000

07/2014

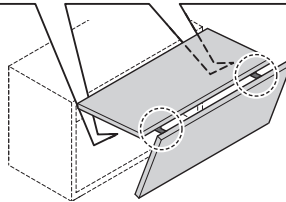
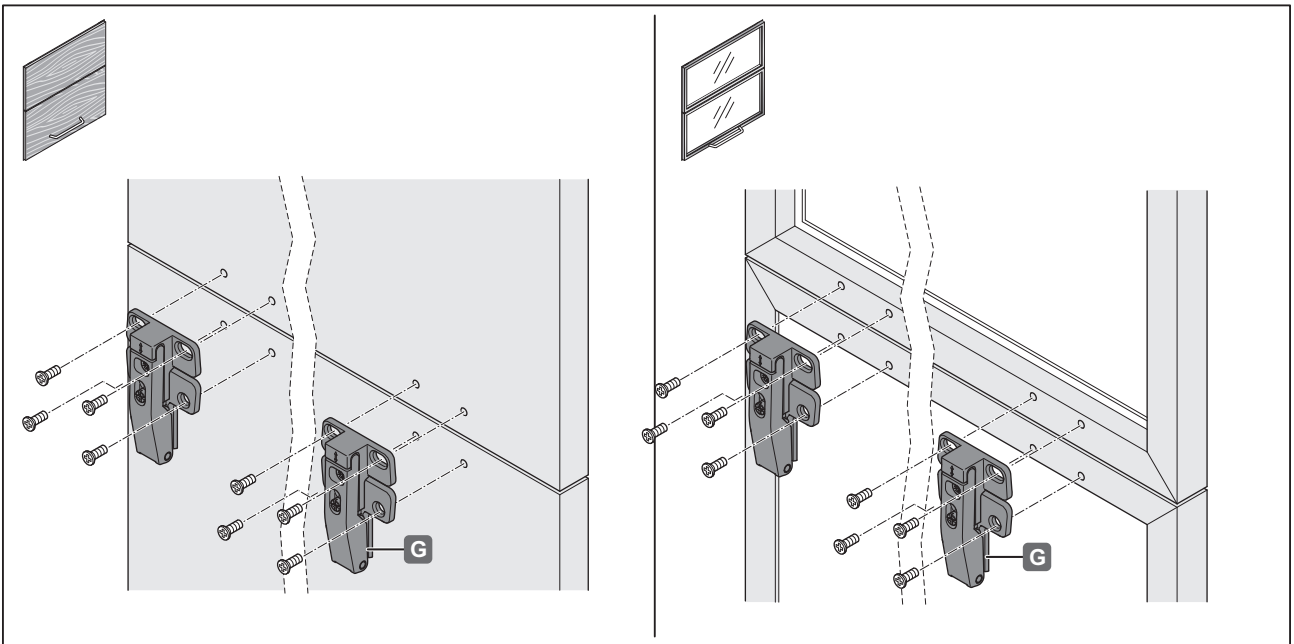
12.0001.010.412.0000.00

KESSEBÖHMER

4



5



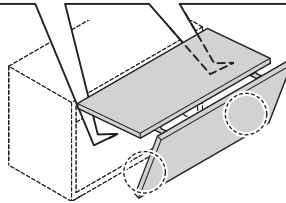
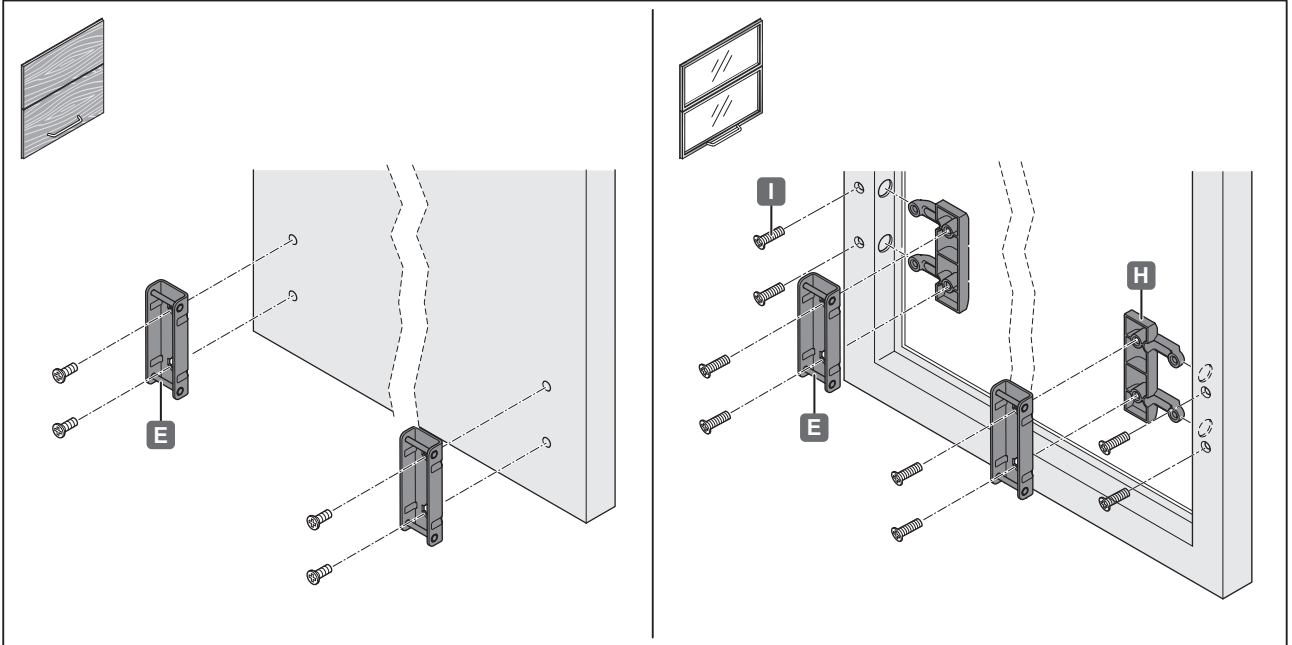
4029060000

07/2014

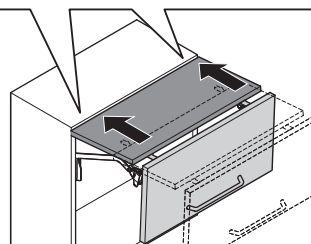
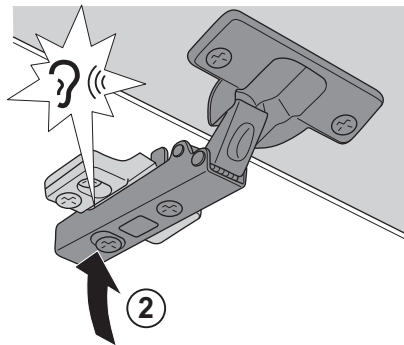
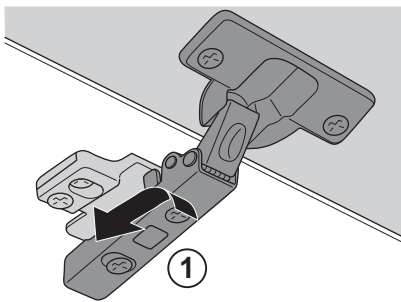
12.0001.010.412.0000.00

KESSEBÖHMER

6



7

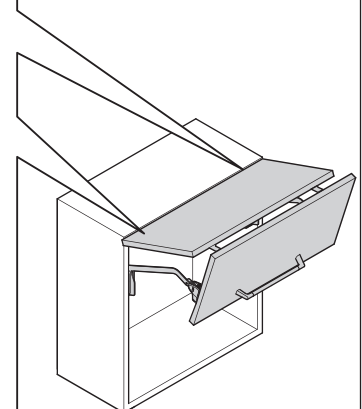
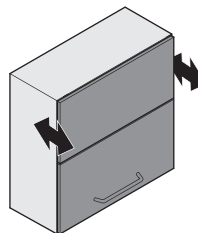
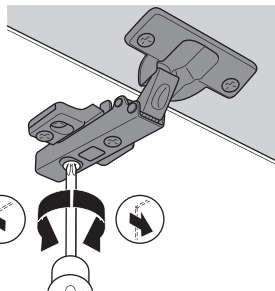
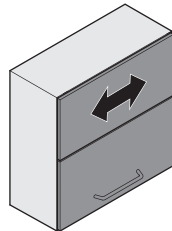
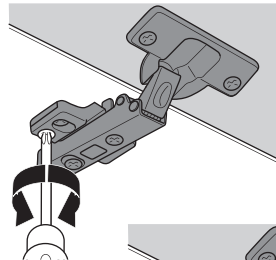
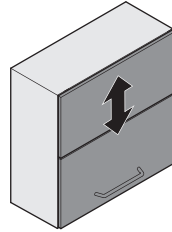
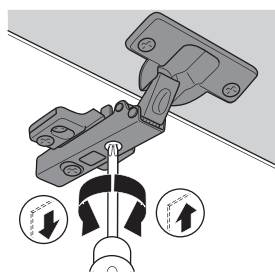
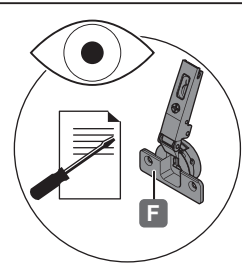
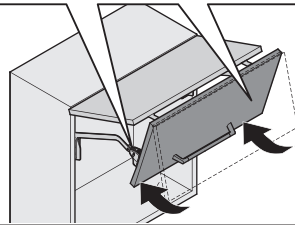
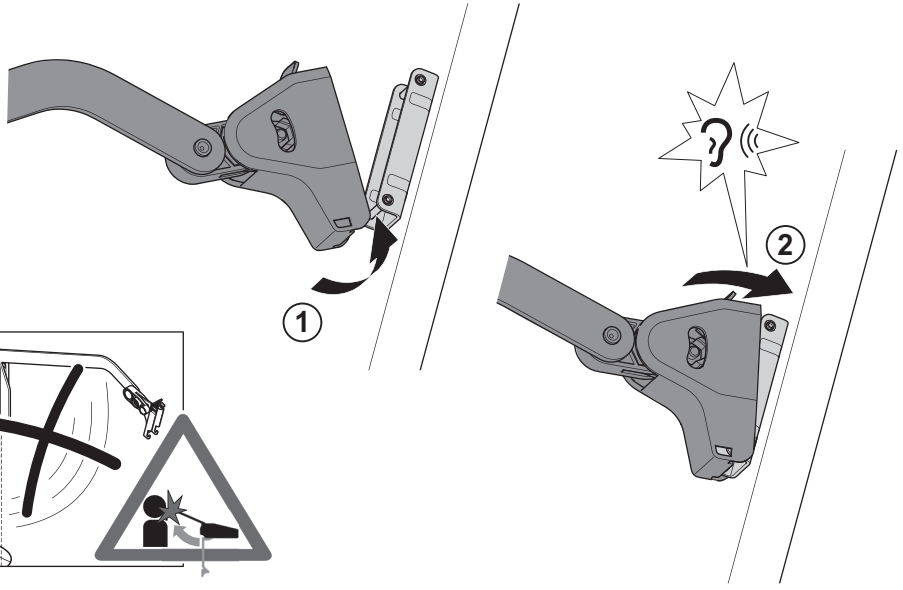
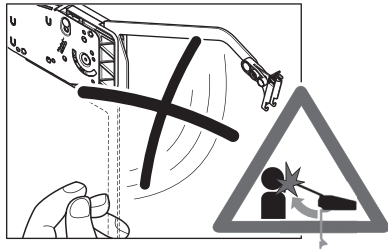
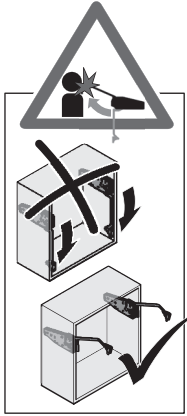
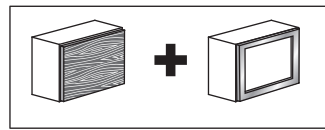


4029060000

12.0001.010.412.0000.00 07/2014

KESSEBÖHMER

8



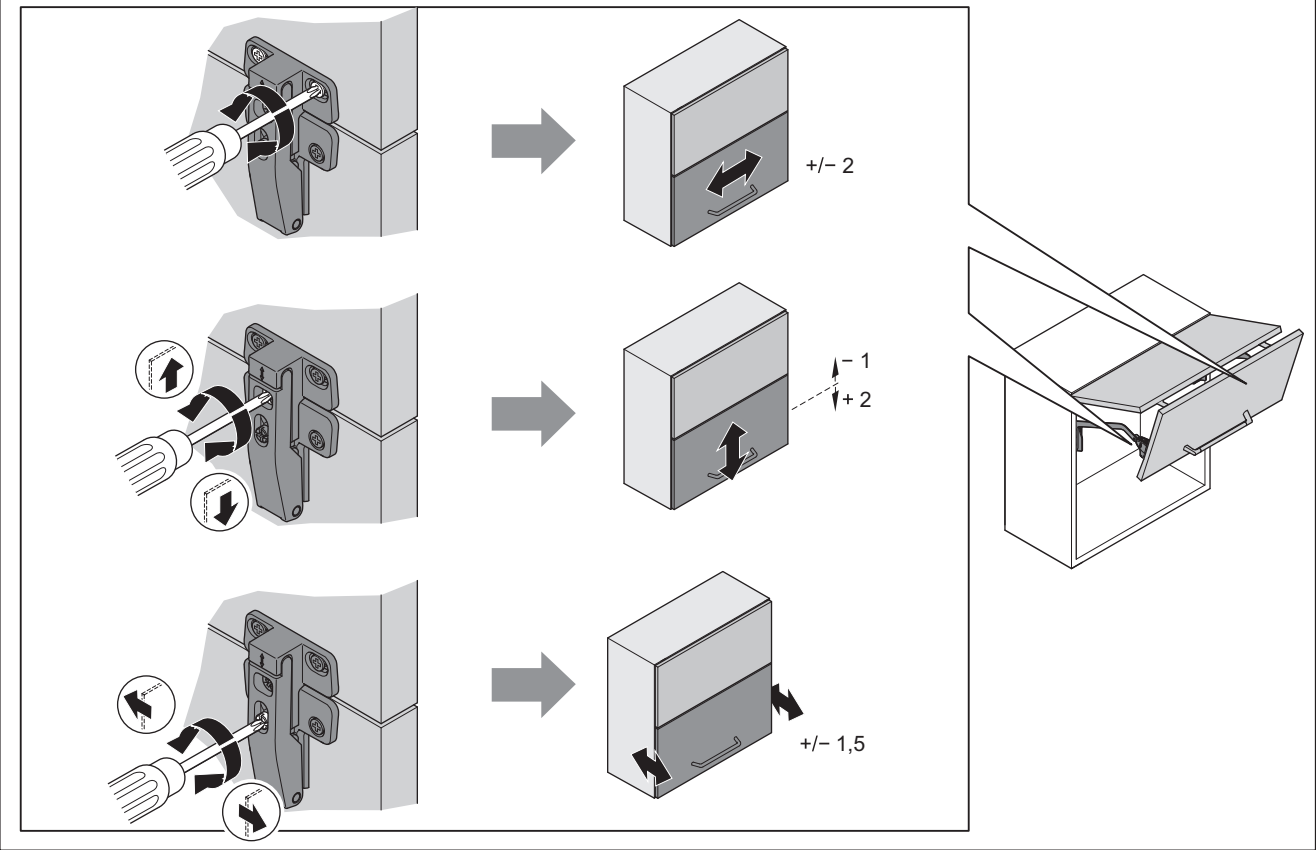
4029060000

07/2014

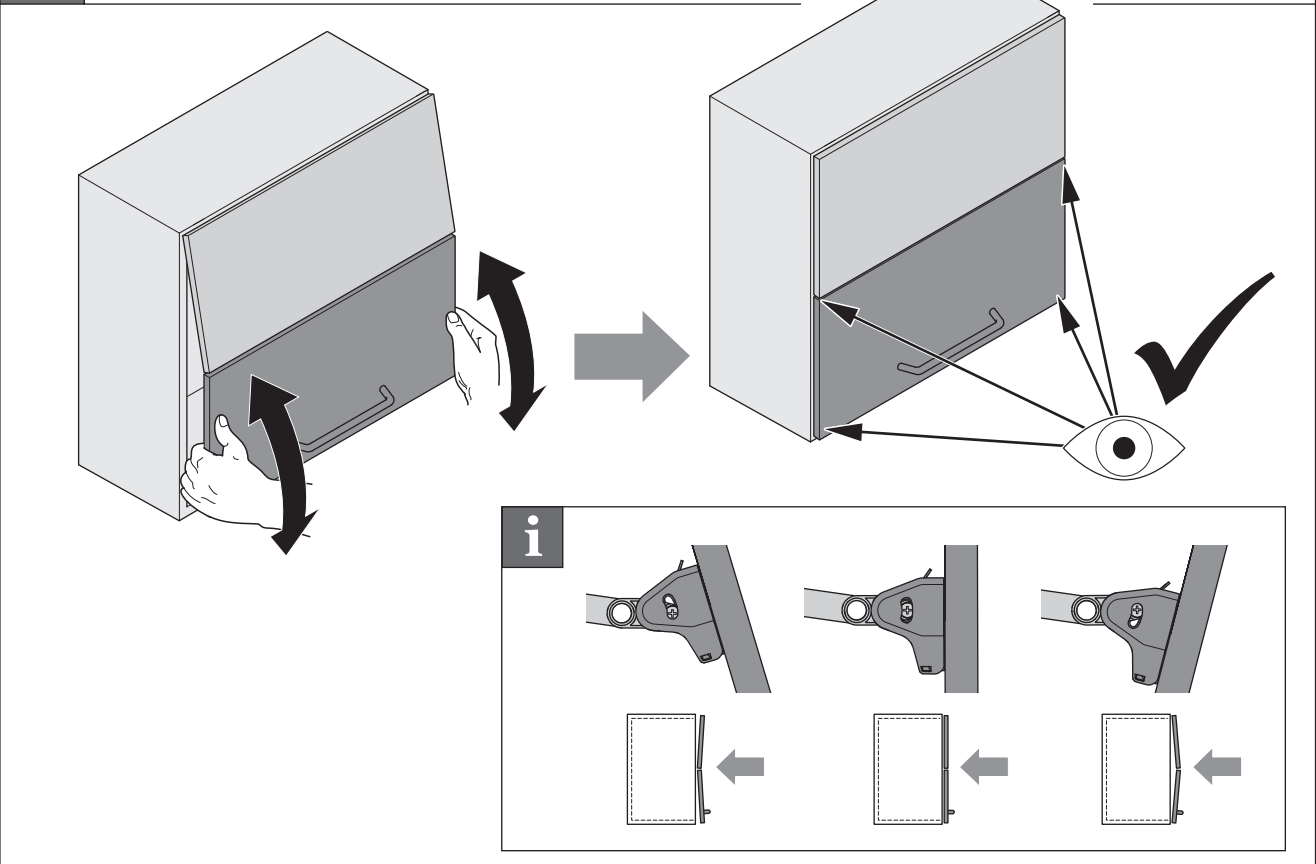
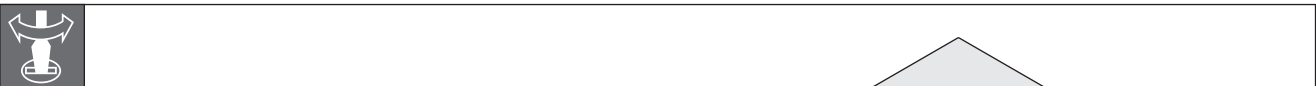
12.0001.010.412.0000.00

KESSEBÖHMER





4029060000

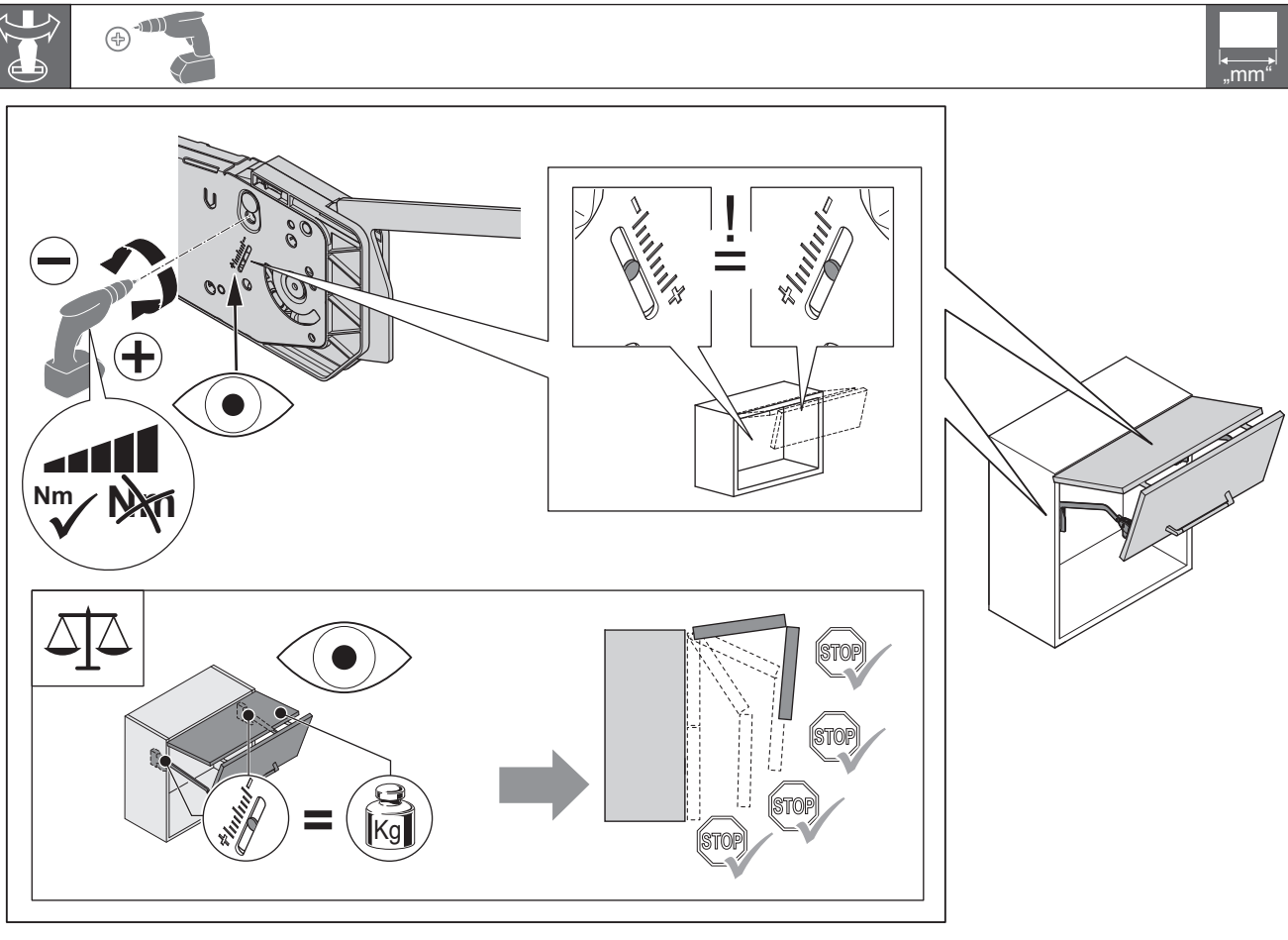
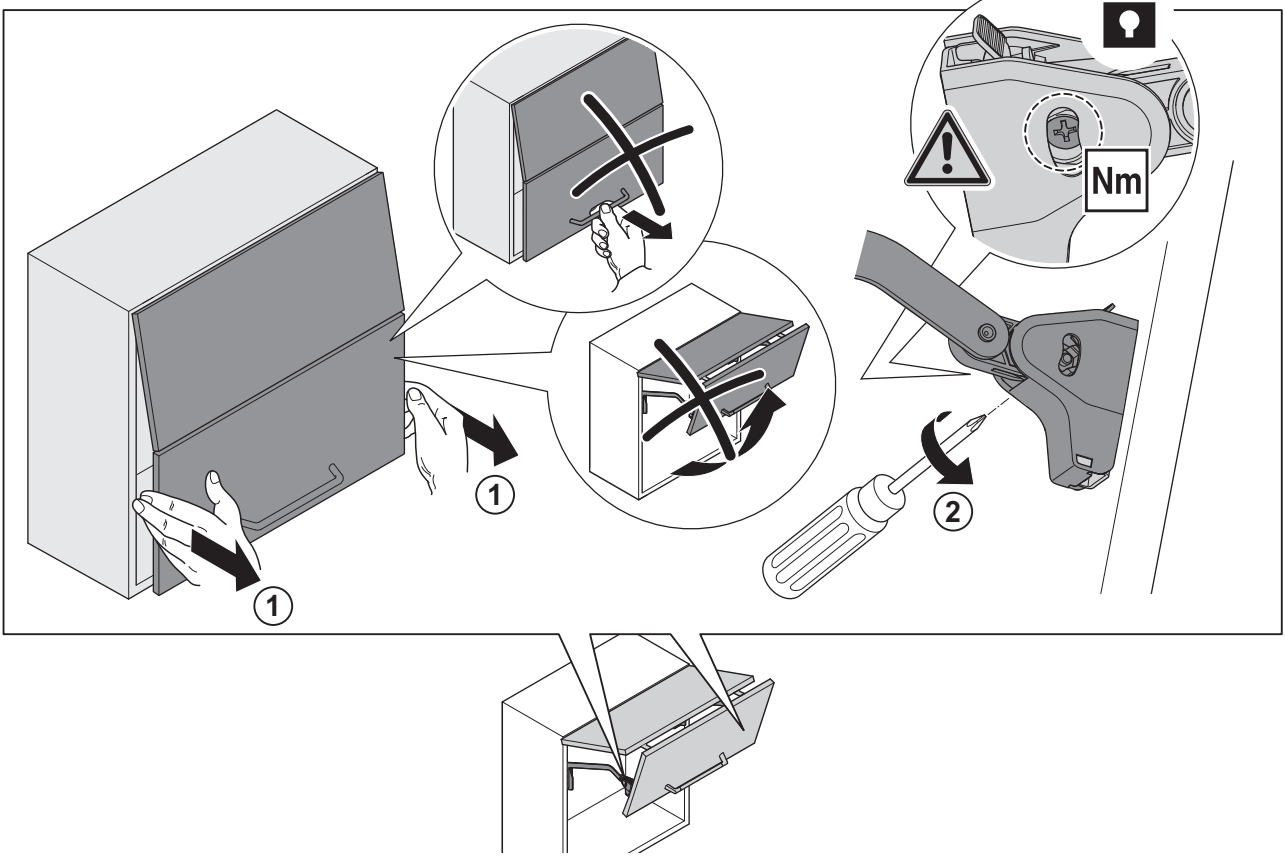


07/2014

12.0001.010.412.0000.00

KESSEBÖHMER

9



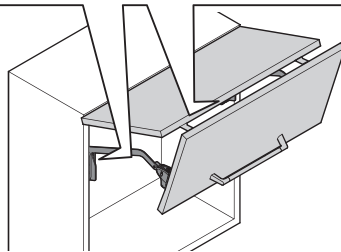
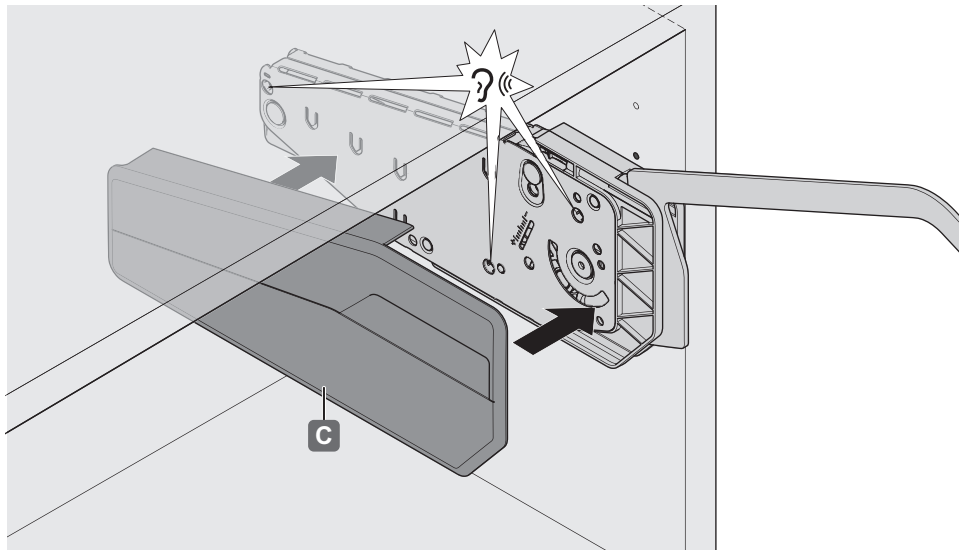
4029060000

07/2014

12.0001.010.412.0000.00

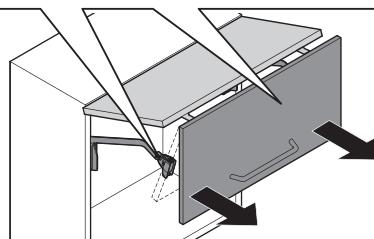
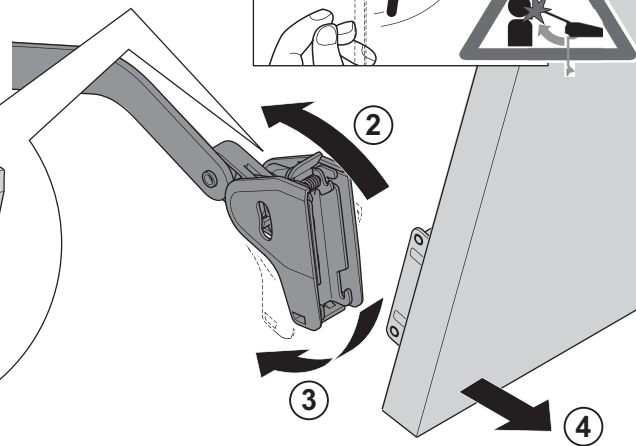
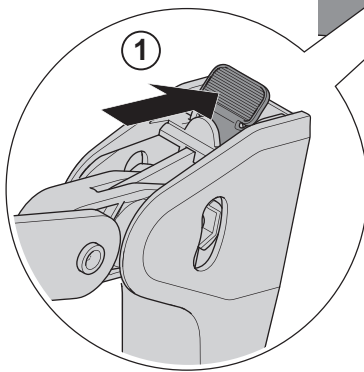
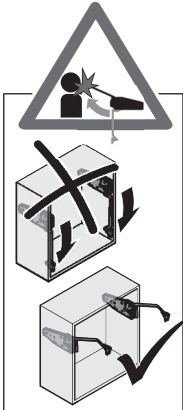
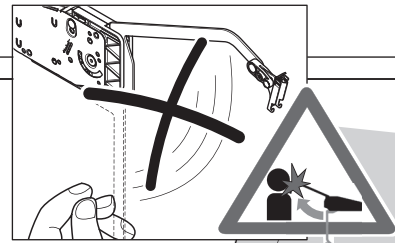
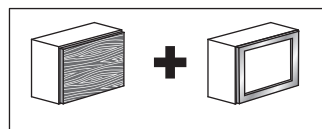
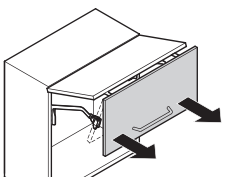
KESSEBÖHMER

10



4029060000

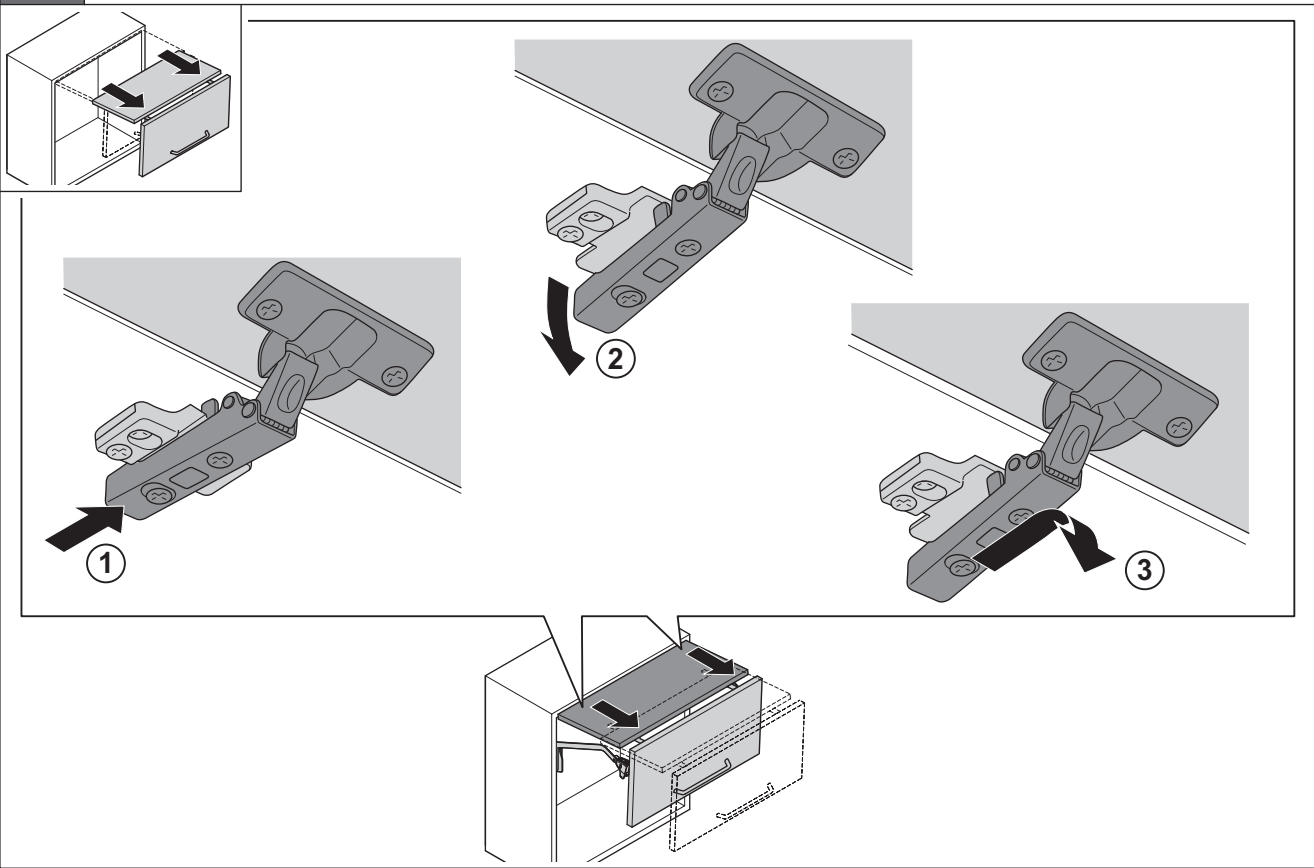
**i**



12.0001.010.412.0000.00 07/2014

KESSEBÖHMER

**i**



4029060000

07/2014

12.0001.010.412.0000.00

KESSEBÖHMER