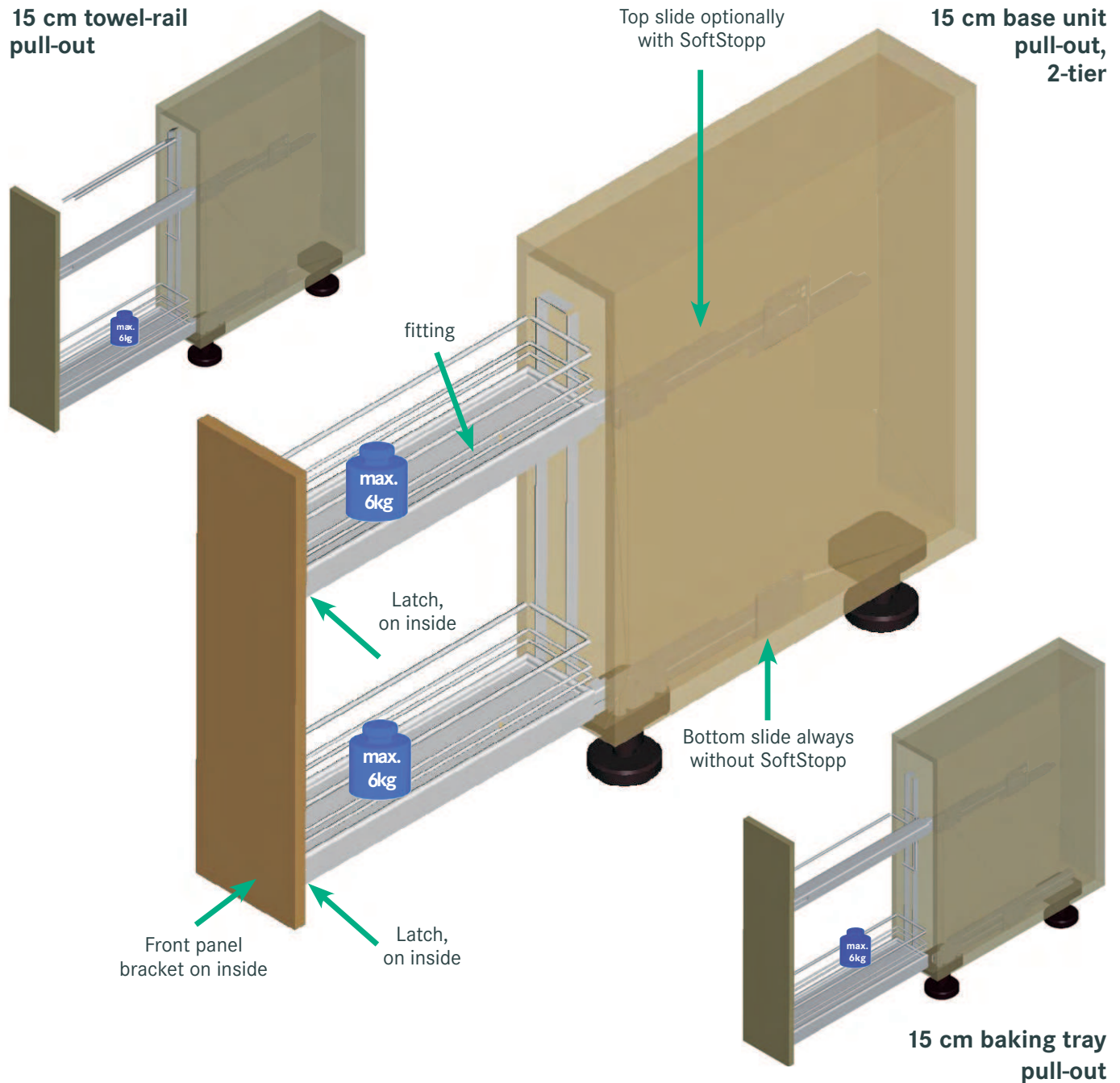


# HANDLING INSTRUCTIONS for 15 cm base unit pull-out

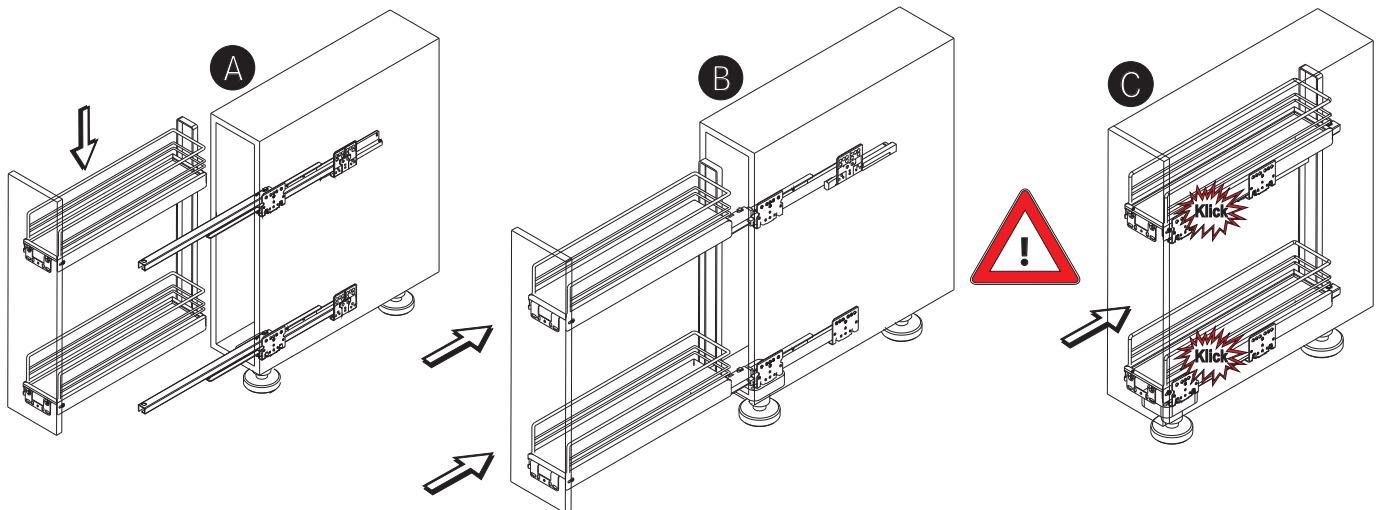


Problem	Possible failure	Possible solution (summary)	Detailed advice
1. Fitting does not engage with slides.	Is fitting positioned correctly on slides?	Place fitting correctly on slides.	1.1
	Latch not in 0-position?	Set latch to 0-position.	1.2
	Are slides positioned correctly?	Position bottom/top slide correctly.	1.3
	Front panel brackets as supplied (4-mm gap)?	Increase gap between front panel bracket and fitting.	1.4
2. Unit does not close.	Is the unit set up correctly?	Align unit.	2.1
	Are the two slides parallel?	Position bottom/top slides correctly.	2.2
3. The fitting rubs.	Are screws tightened firmly? Are you using the correct screws (pan head, oval head)?	1. Tighten screws. 2. Use correct screws.	3.1
	Is the unit set up correctly?	Align unit.	3.2
4. Disassembly			4.0

# HANDLING INSTRUCTIONS for 15 cm base unit pull-out

## 1. Fitting does not engage with slides

### 1.1 Is fitting positioned correctly on slides?

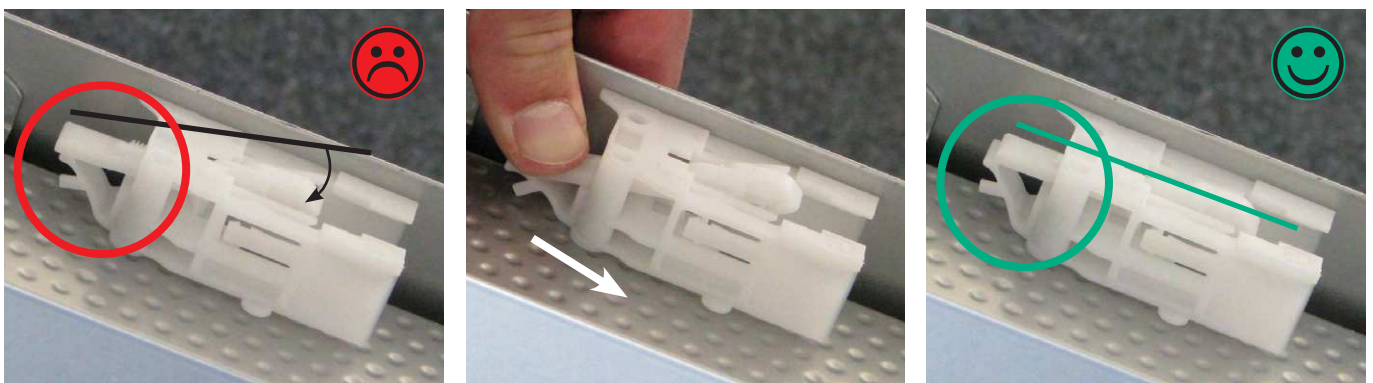


Pull slides fully out of the unit. Push fitting onto slides and then back into the unit. An audible click means that the slides have engaged with the fitting.



**Caution:** The fitting must be level when placed on the slides. Press on the front panel opposite the front panel brackets when pushing in the fitting.

### 1.2 Latch not on 0-position?

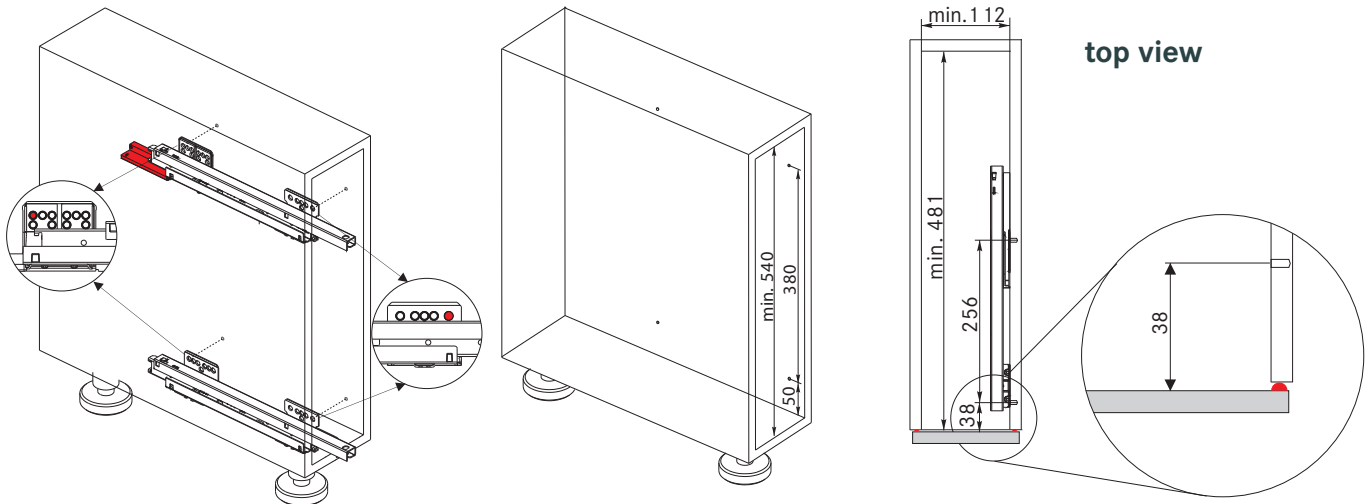


Before assembly check that both latches are in 0-position. The latching element can shift out of 0-position following either incorrect assembly or disassembly.

# HANDLING INSTRUCTIONS for 15 cm base unit pull-out

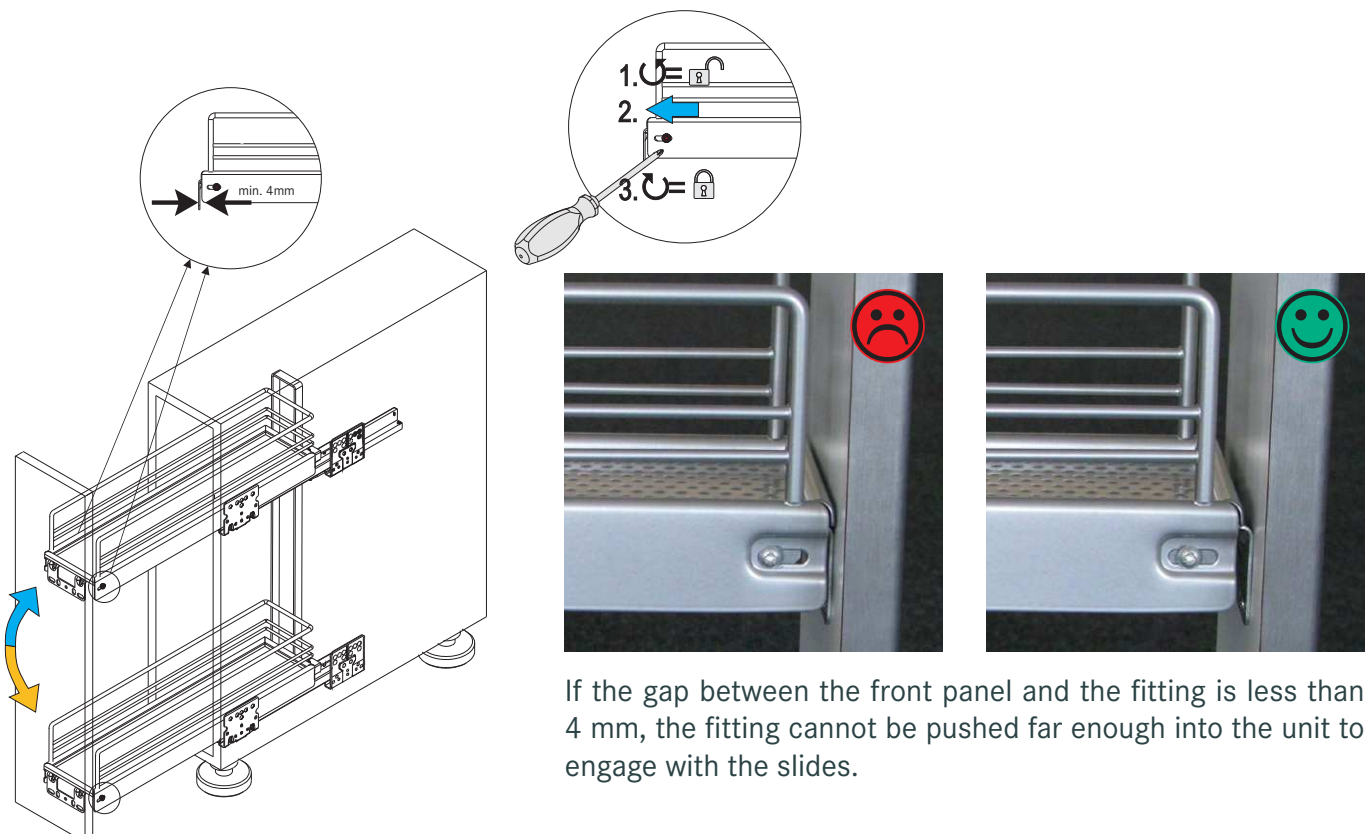
## 1.3 Are slides positioned correctly?

The slides must be fitted parallel to each other. In addition, it is important that the dimension of 380 mm is maintained exactly.



If the sealing lip/limit stop are not taken into account, the slides will be attached too far into the unit and cannot engage with the fitting.

## 1.4 Front panel brackets as supplied (4-mm gap)



If the gap between the front panel and the fitting is less than 4 mm, the fitting cannot be pushed far enough into the unit to engage with the slides.

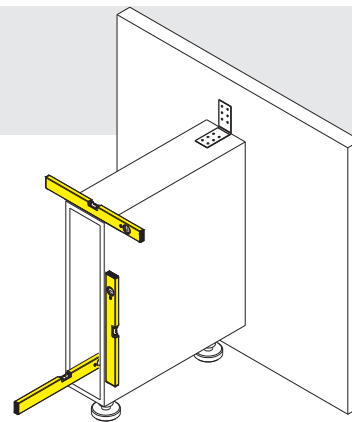
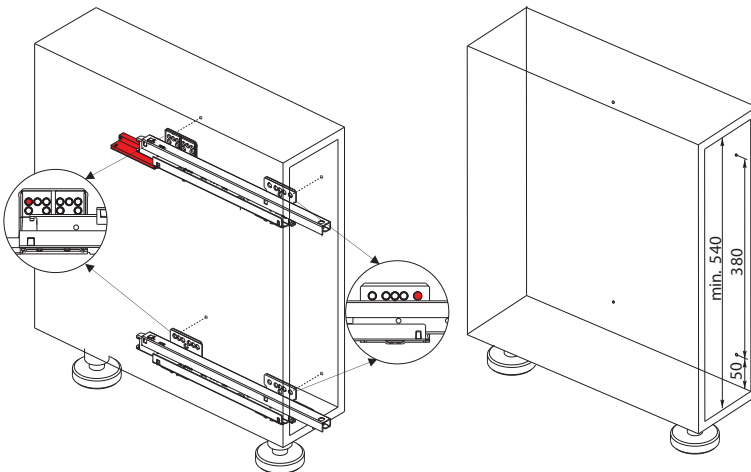
# HANDLING INSTRUCTIONS for 15 cm base unit pull-out

## 2. Unit does not close

### 2.1 Is the unit set up correctly?

Ensure that the side panels are straight and vertical.

### 2.2 Are the slides parallel to each other?



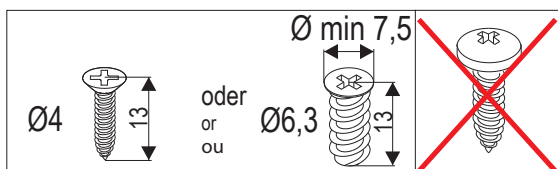
The slides must be fitted parallel to each other. In addition, it is important that the dimension of 380 mm is maintained exactly.

## 3. Fitting rubs

### 3.1 Incorrect screws (pan head/oval head)?

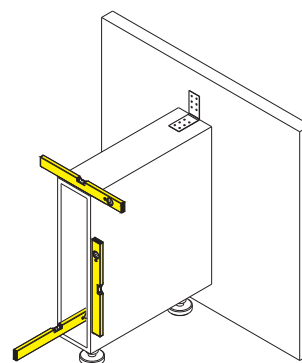


**Caution:** Do not overtighten the screws. Do not use screws that rub against the fitting after assembly. The screws must be turned in straight and tightened firmly.



### 3.2 Is the unit set up correctly?

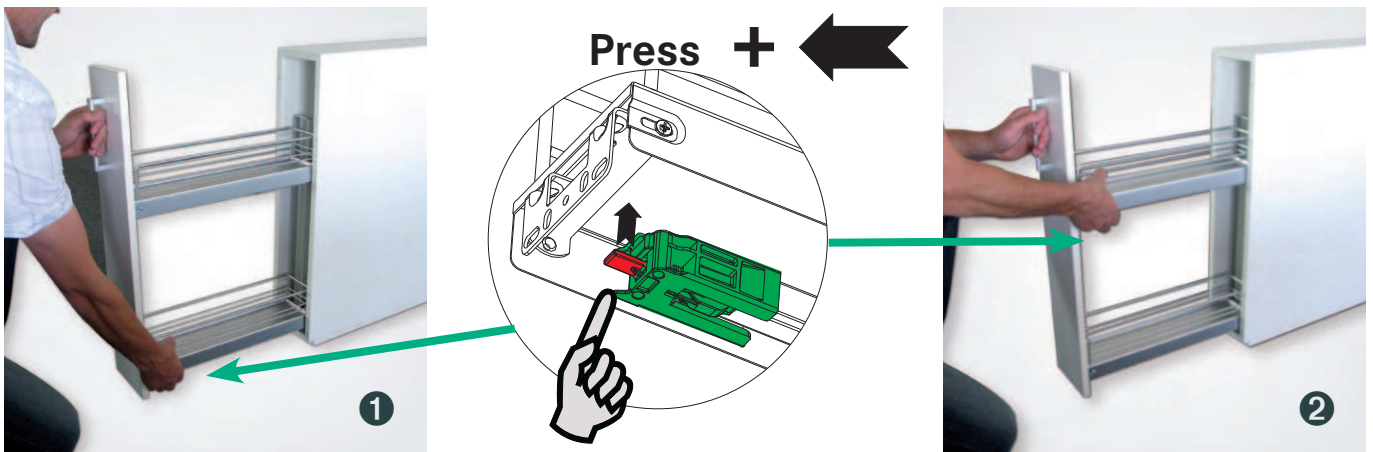
Ensure that the side panels are straight and vertical.



# HANDLING INSTRUCTIONS for 15 cm base unit pull-out

## 4. Disassembly

Unlatch bottom and top latches.



Pull out front panel with fitting until clear of unit (approx. 10 cm).  
Then lift off.



**Caution:** After disassembly check that latches are back in 0-position.  
See also 1.2 on page 2.