



drawer systems

IREX[®]
Solutions

IREX[®]

IREX[®]

IREX SYSTEM

In Box (IR BOX-IN)



Specifications

Damping

- Loading capacity : 40kg
- Adjustment range : top/bottom +/- 2mm, left right +/-1.5mm
- Back plate height : 70mm
- Color : Metallic Silver

Drawer(IR BOX-NS)



Specifications

Damping

- Loading capacity : 40kg
- Adjustment range : top/bottom +/- 2mm, left right +/-1.5mm
- Back plate height : 70mm
- Color : Metallic Silver

Gallery (IR BOX-GA)



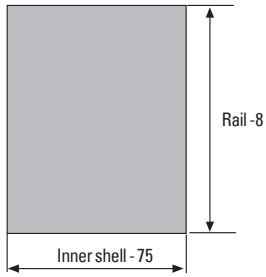
Specifications

Damping

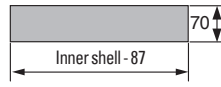
- Loading capacity : 40kg
- Adjustment range : top/bottom +/- 2mm, left right +/-1.5mm
- Back plate height : 120mm
- Color : Metal Silver

Cutting

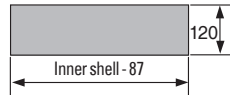
1. Foundation size



2. Back plate (In, Drawer)



3. Back plate (Gallery)



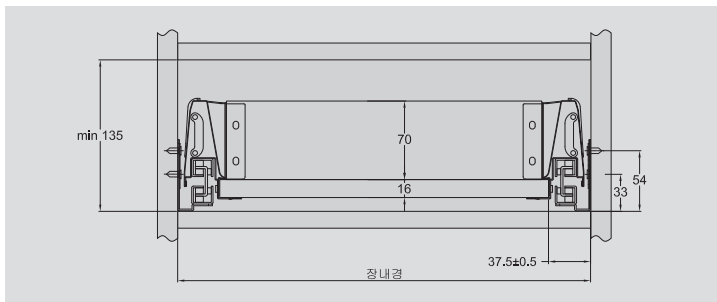
* Front plate for In box : Inner shell - 85

Item name	Cutting Dimension (basis :500mm , outer dimension)	
	600mm	1000mm
Base plate (15 T standard)	495(W) x 492(D)	895(W) x 492(D)
Back plate (15 T standard)	Drawer	483(W) x 70(D)
	Gallery	483(W) x 120(D)

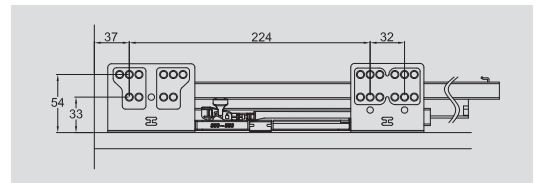
** Install the drawer on the rail from 1mm higher position.



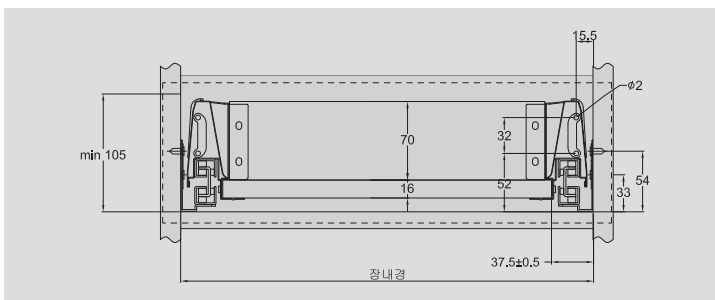
Drawer's diagram



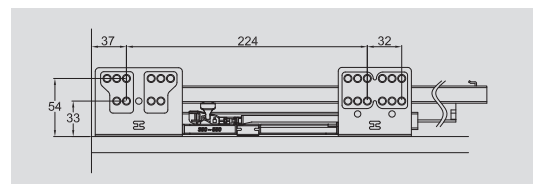
Location of side plate mounting (In box)



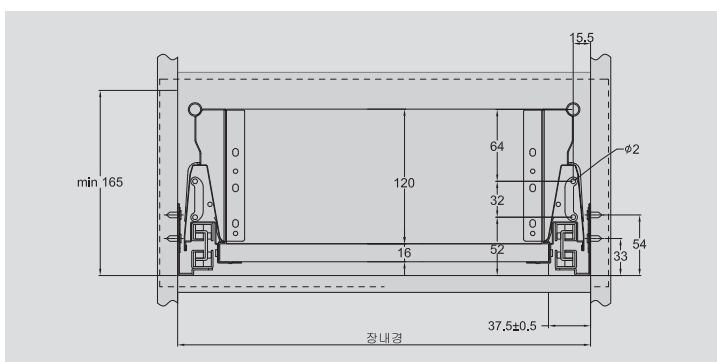
Drawer's diagram



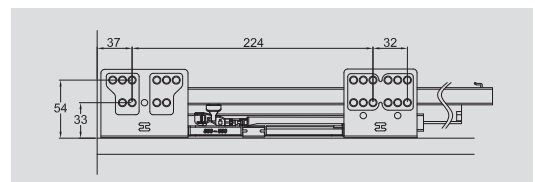
Location of side plate mounting (Drawer)



Drawer's diagram



Location of side plate mounting (Gallery)



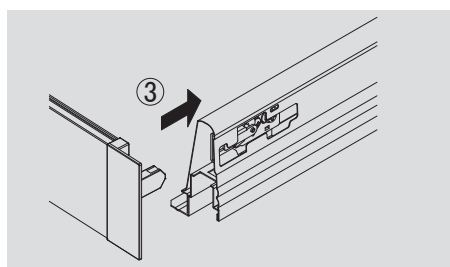
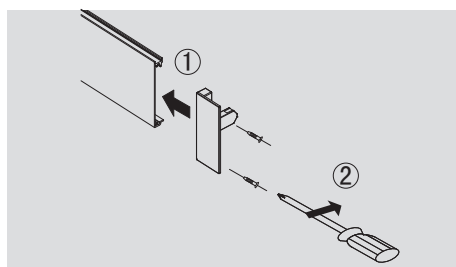


IREX BOX® | max loading capacity

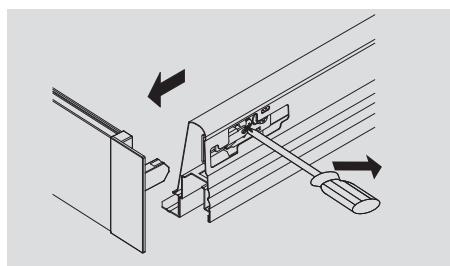
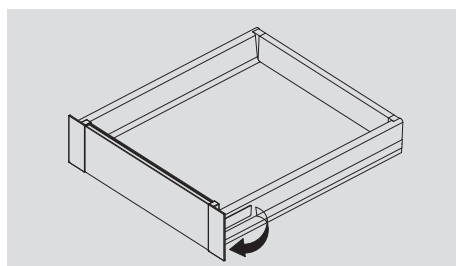


IREX BOX® | Use various space in the drawer

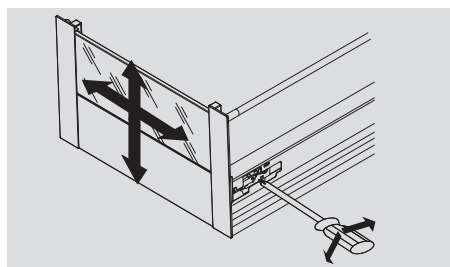
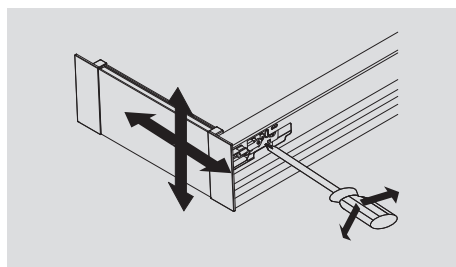
Front panel bracket installation



Front panel assemble and disassemble method

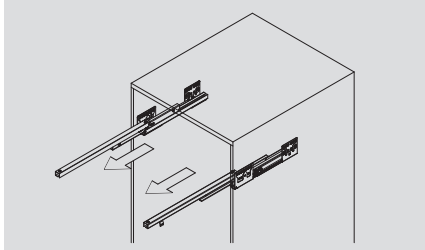


Front panel adjustment up/down +/- 2mm , L/R +/- 2mm

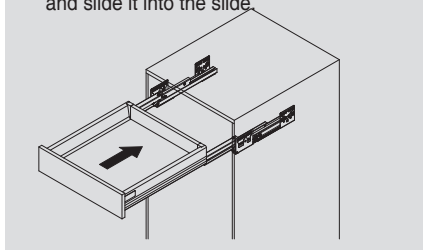


IREX BOX installation and decomposition method

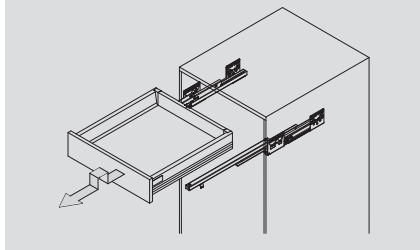
1. Lift out the rails on both sides.



2. Place the wood box on top of the slide and slide it into the slide.



3. Lift up the box for disassemble.



MEMO

IREX SMART SYSTEM

In Box (SM BOX-IN)



Specifications

Damping

- Loading capacity : 40kg
- Adjustment range : top/bottom +/- 2mm, left right +/-1.5mm
- Back plate height : 66mm
- Color : Metallic silver

Drawer (SM BOX-NS)



Specifications

Damping

- Loading capacity : 40kg
- Adjustment range : top/bottom +/- 2mm, left right +/-1.5mm
- Back plate height : 66mm
- Color : Metallic silver

Gallery (SM BOX-GA)



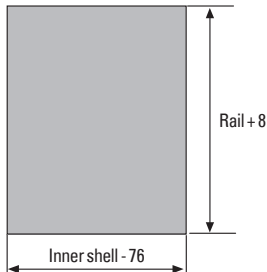
Specifications

Damping

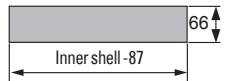
- Loading capacity : 40kg
- Adjustment range : top/bottom +/- 2mm, left right +/-1.5mm
- Back plate height : 144mm
- Color : metallic silver

Foundation size

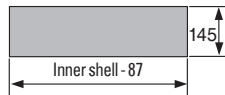
1. Bottom plate



2. Back plate (In, Drawer)



3. Back plate (Gallery)

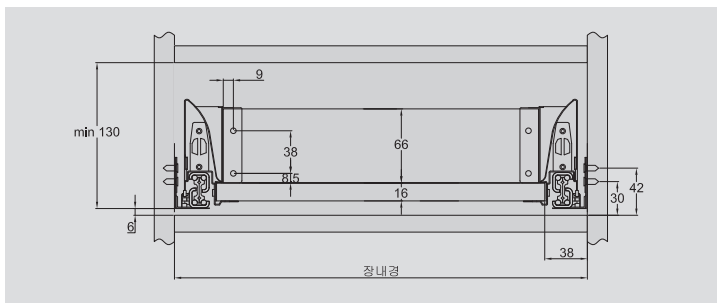


* Front plate for In box : Inner shell - 80

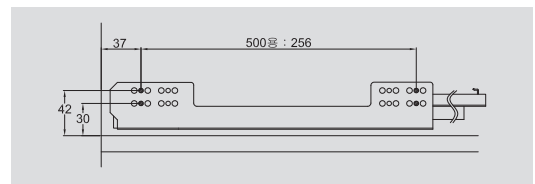
Item name	Tailor's measure / 500mm drawer / Outer reference	
	600mm	1000mm
Base plate (15 T standard)	494(W) x 508(D)	894(W) x 508(D)
Back plate (15 T standard)	Drawer	483(W) x 66(D)
	Gallery	483(W) x 145(D)

** Install the drawer on the rail from 1mm higher position.

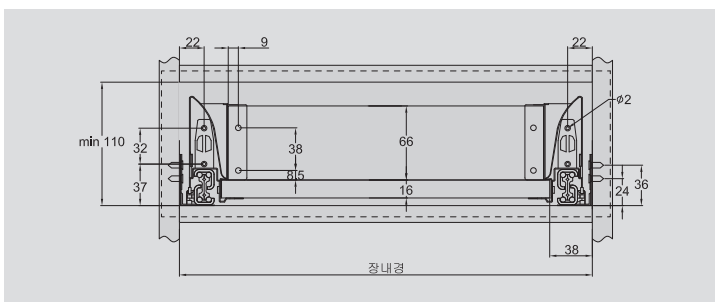
Drawer's diagram



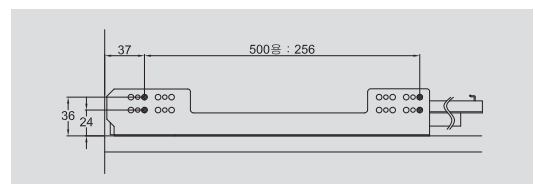
Location of side plate mounting (In box)



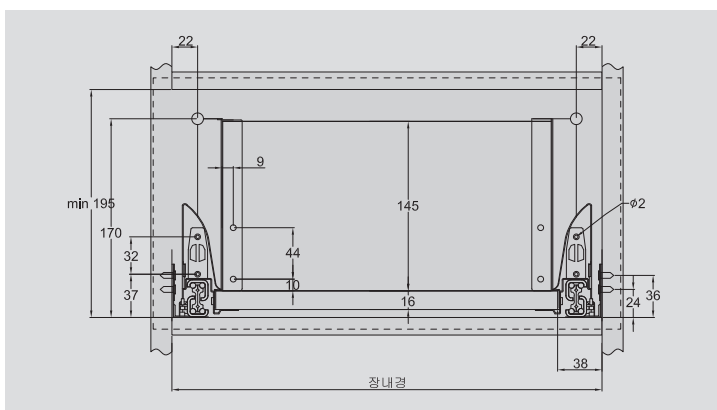
Drawer's diagram



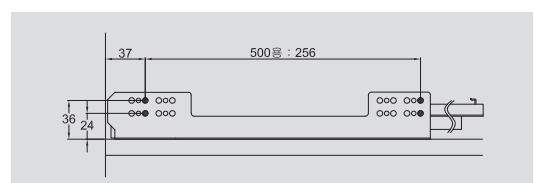
Location of side plate mounting (Drawer)



Drawer's diagram



Location of side plate mounting (Gallery)



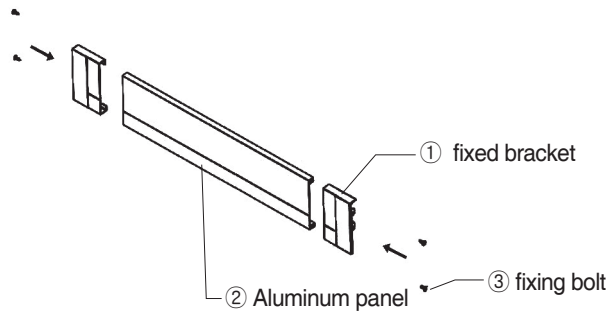


SMART BOX® | max loading capacity 30kg



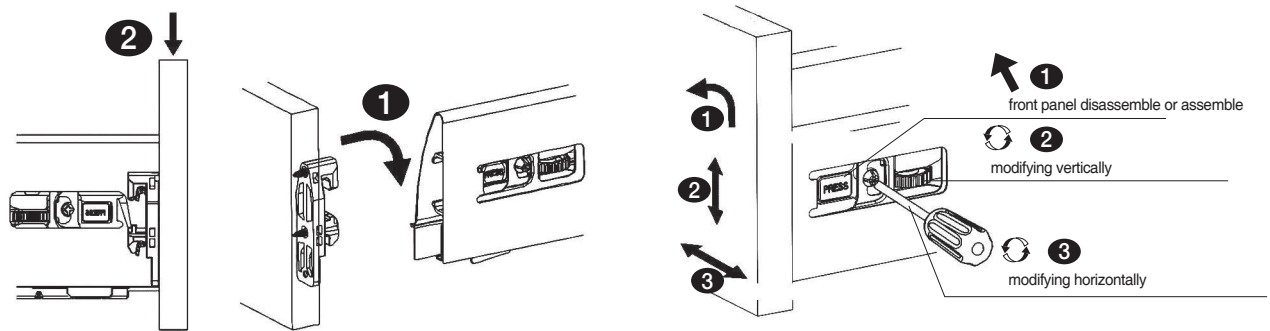
SMART BOX® | Use various space in the drawer

IN Box installation method



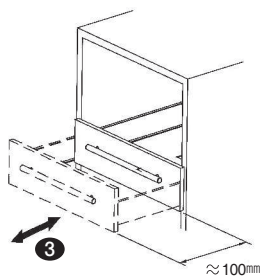
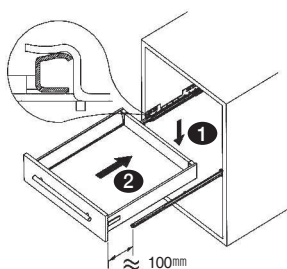
Front panel adjustment range

- How to install the front panel in a drawer

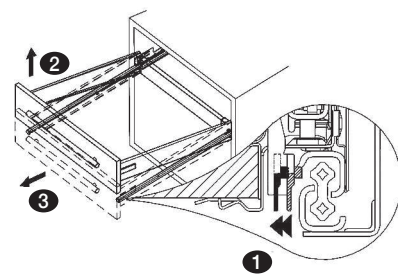


Gallery Drawer (SM Box-GA)

- Assemble case



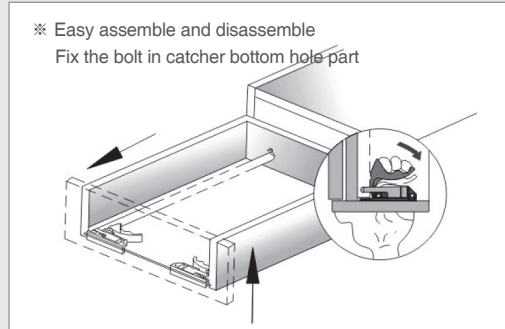
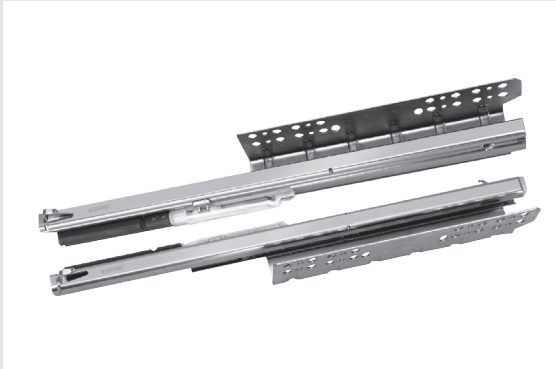
- Disassemble case



MEMO

Damping Under Rail (Full Extension)

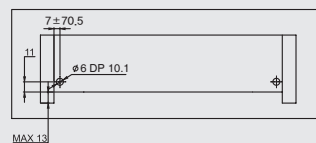
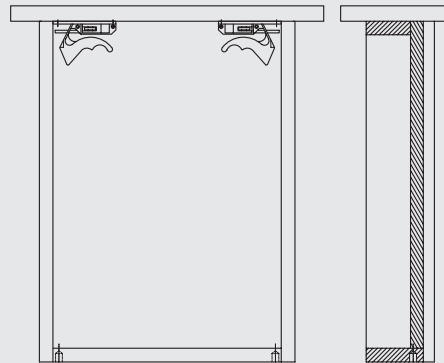
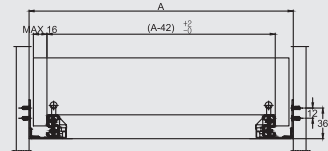
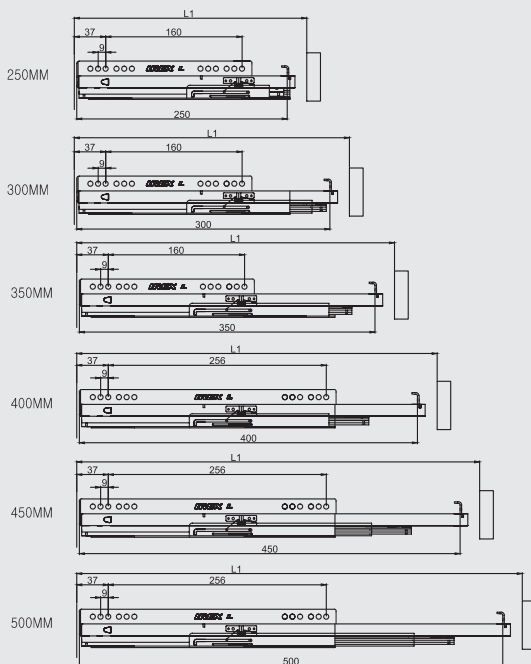
IR-UD RAIL



Model	Rail	Max loading Capacity	Cabinet length
IR-UD 250	250	30kg	L+20mm
IR-UD 300	300	30kg	L+20mm
IR-UD 350	350	40kg	L+20mm
IR-UD 400	400	40kg	L+20mm
IR-UD 450	450	40kg	L+20mm
IR-UD 500	500	40kg	L+20mm

Installation

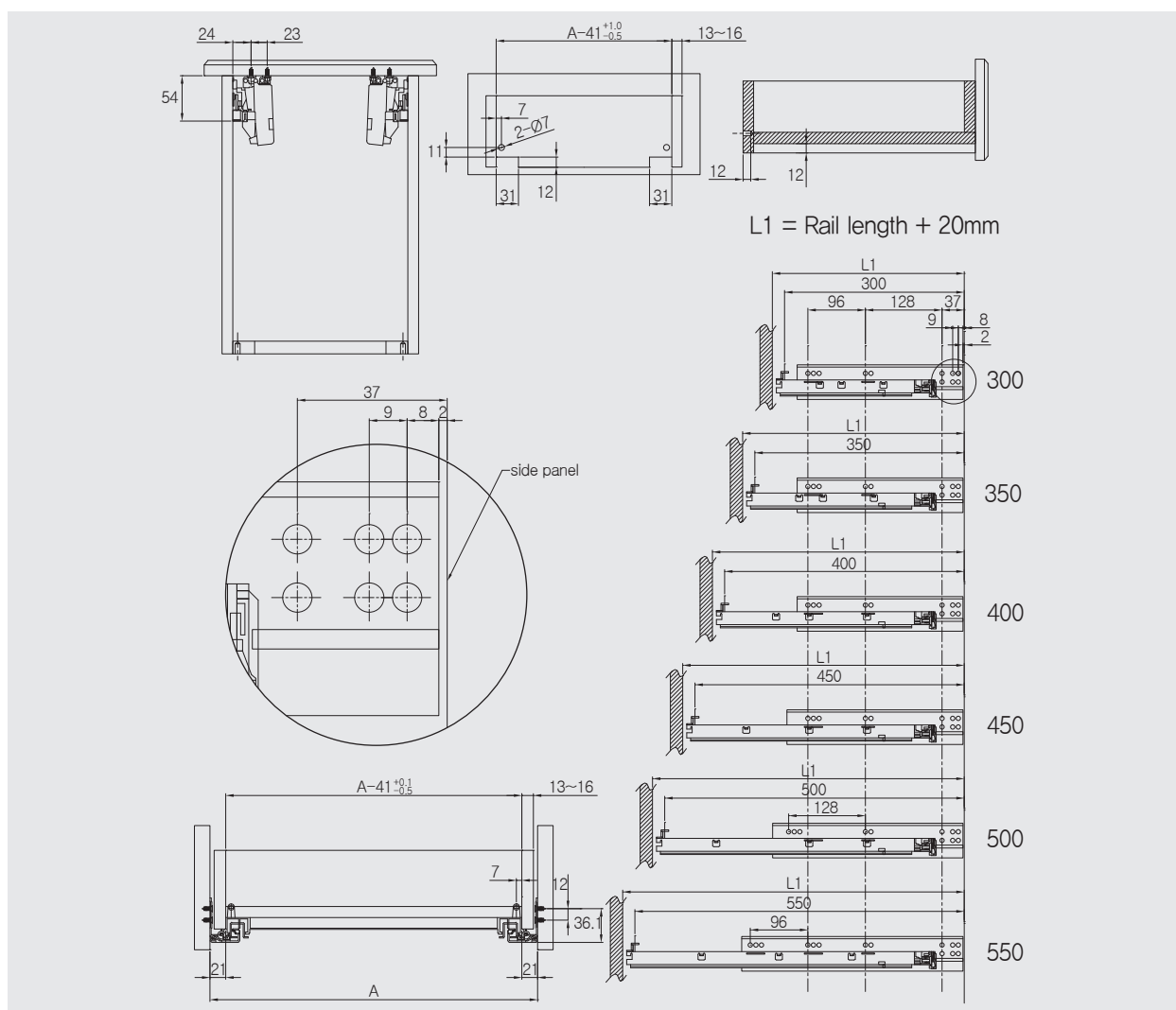
Drawer Size = Rail Size - 2mm
L1 = Cabinet Size
L1 = Drawer Size + over 20mm



IREX-UD RAIL



Installation

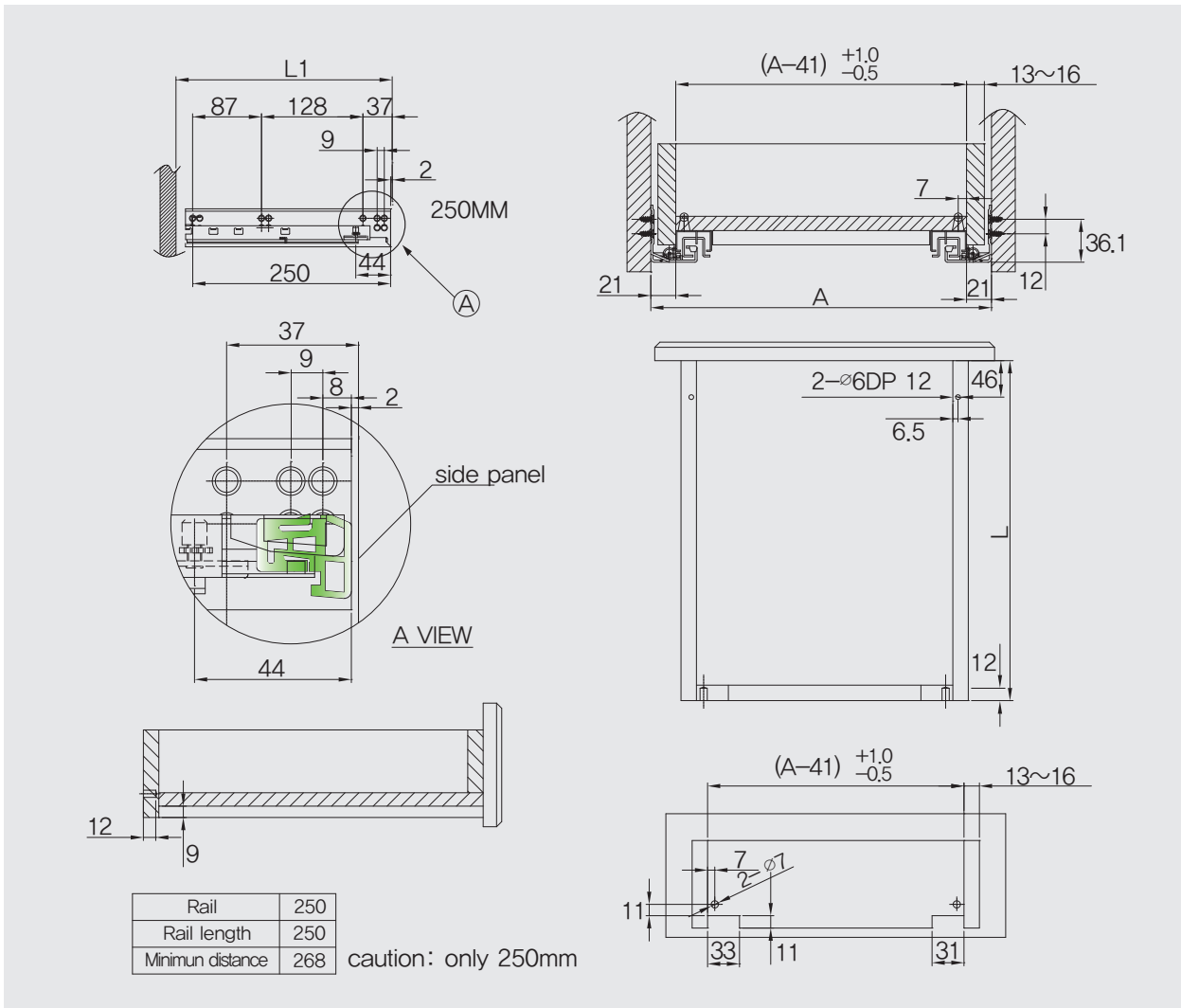


Damping Under Rail (Full Extension)

IRES-UD RAIL(250mm only)



Installation

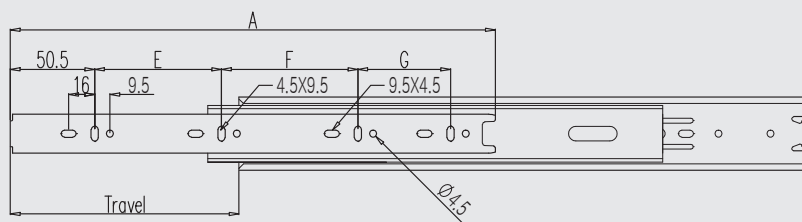
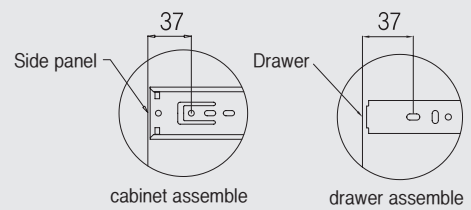
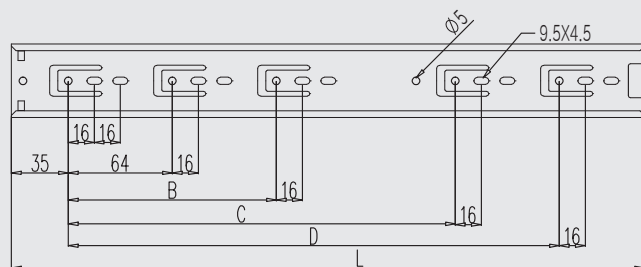


IREX-BR SLIDE

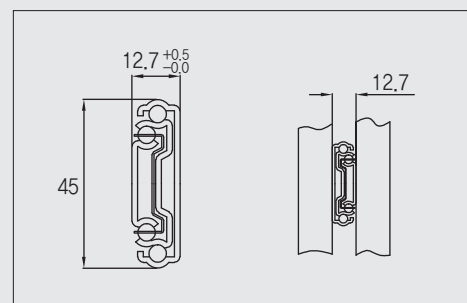


Installation

Size : 250mm~500mm(250mm~550mm)



L	Travel	A	B	C	D	E	F	REMARKS
250	255	247.5	160	-	-	160	-	
300	291	297.5	224	-	-	96	128	
350	341	347.5	-	-	224	128	128	
400	391	397.5	224	-	302	128	160	
450	441	447.5	224	352	-	160	192	
500	491	497.5	224	352	-	192	192	
550	541	547.5	224	352	416	224	224	

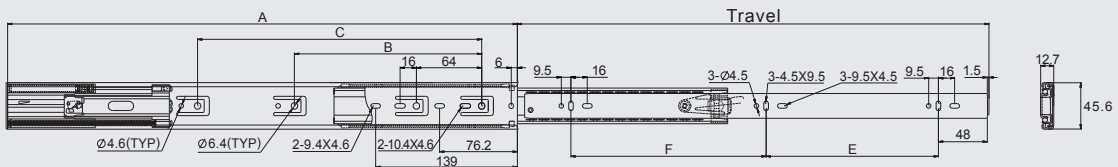
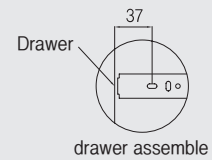
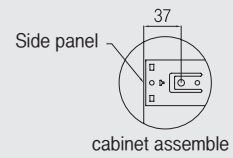
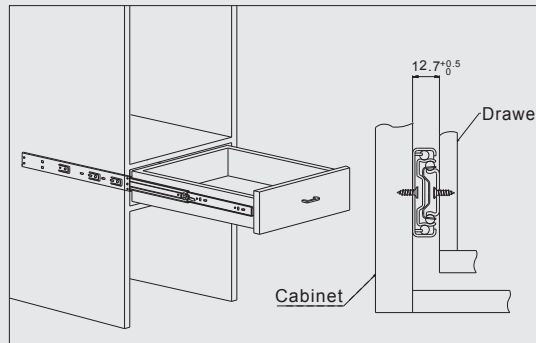


Damping Ball Slide (Full Extension)

IREX-DB SLIDE



Installation



Product code	Length of slide A	Travel	B	C	E	F
4505HC-02-350	350	350	160	/	96	160
4505HC-02-400	400	400	224	/	128	160
4505HC-02-450	450	450	224	288	160	192
4505HC-02-500	500	500	224	320	192	192
4505HC-02-550	550	550	224	384	224	224
4505HC-02-600	600	600	256	416	224	256

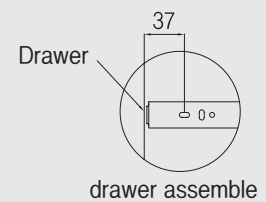
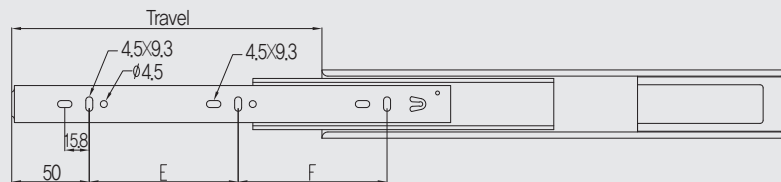
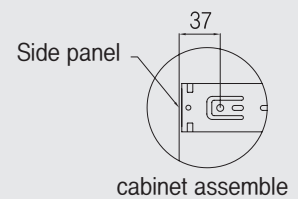
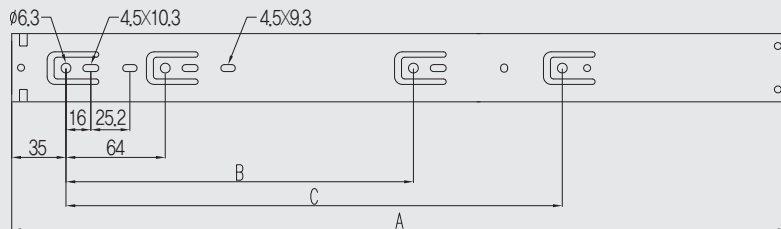
NEW IREX-DB SLIDE



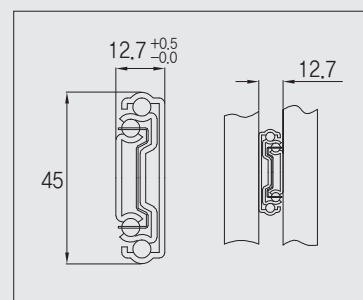
Installation

Size : 300mm~600mm(damping 300mm~600mm) - NEW TYPE

※ Caution – carefully fixing the bolt as of dwg.



Product Code	A	Travel	B	C	E	F	REMARKS
4505HC-02-300	300	300	-	-	96	96	
4505HC-02-350	350	350	160	-	96	96	
4505HC-02-400	400	400	224	-	160	128	
4505HC-02-450	450	450	224	-	160	160	
4505HC-02-500	500	500	224	320	224	160	
4505HC-02-550	550	550	224	352	224	192	
4505HC-02-650	600	600	224	384	224	224	





IREX®

삼성정밀공업(주)

www.irex.co.kr

Head office, Factory : 167, Bongsu-daero, Seo-gu, Incheon, Korea

Tel : 82-70-7101-9352 / Fax : 82-32-577-3366

e-mail: jhonkim@irex.co.kr

irex@irex.co.kr