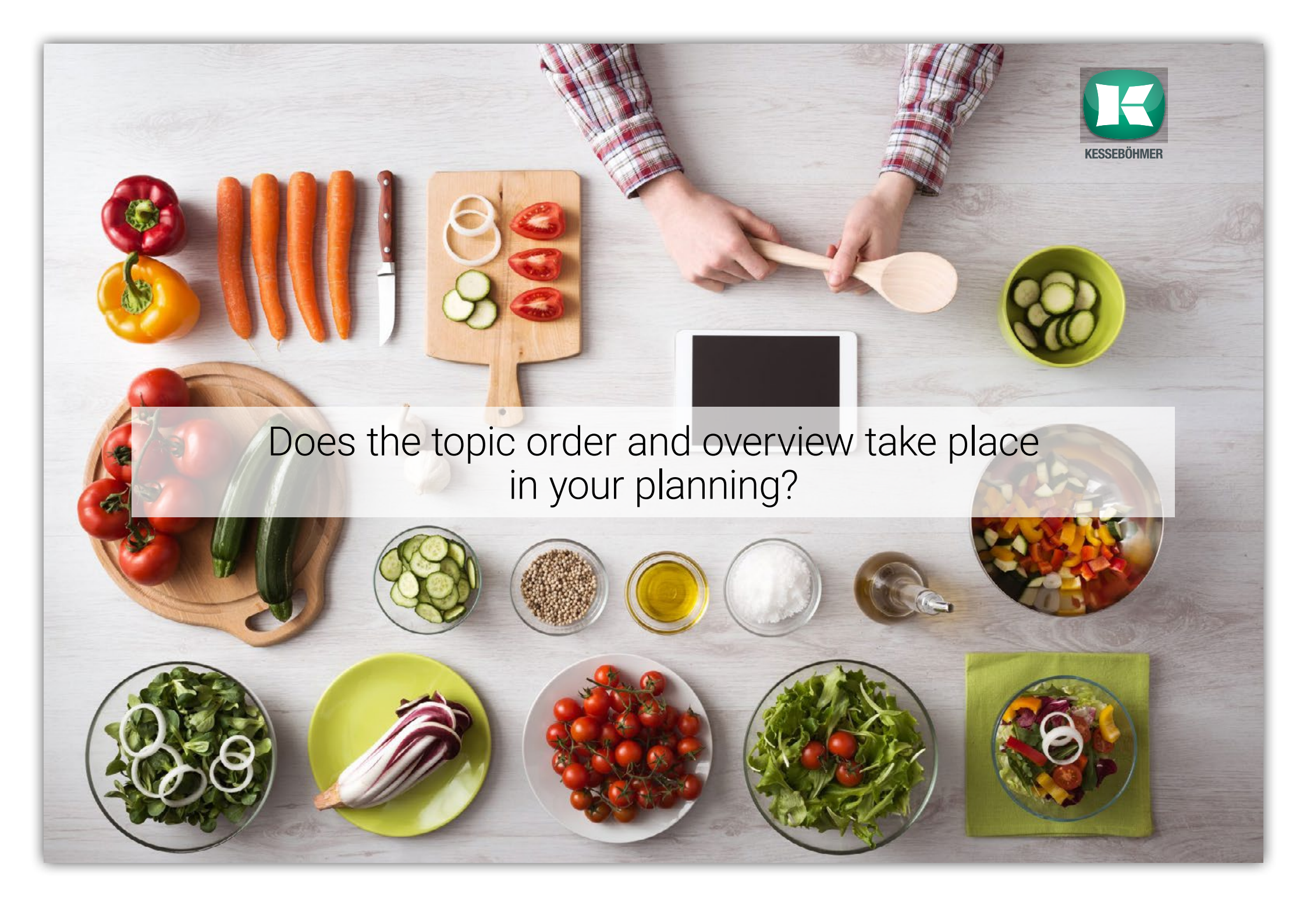


Sales arguments

DISPENSA junior slim





Does the topic order and overview take place in your planning?



Where do you keep your cooking utensils?



How important is simple planning?



How do your customers react to clever architecture?

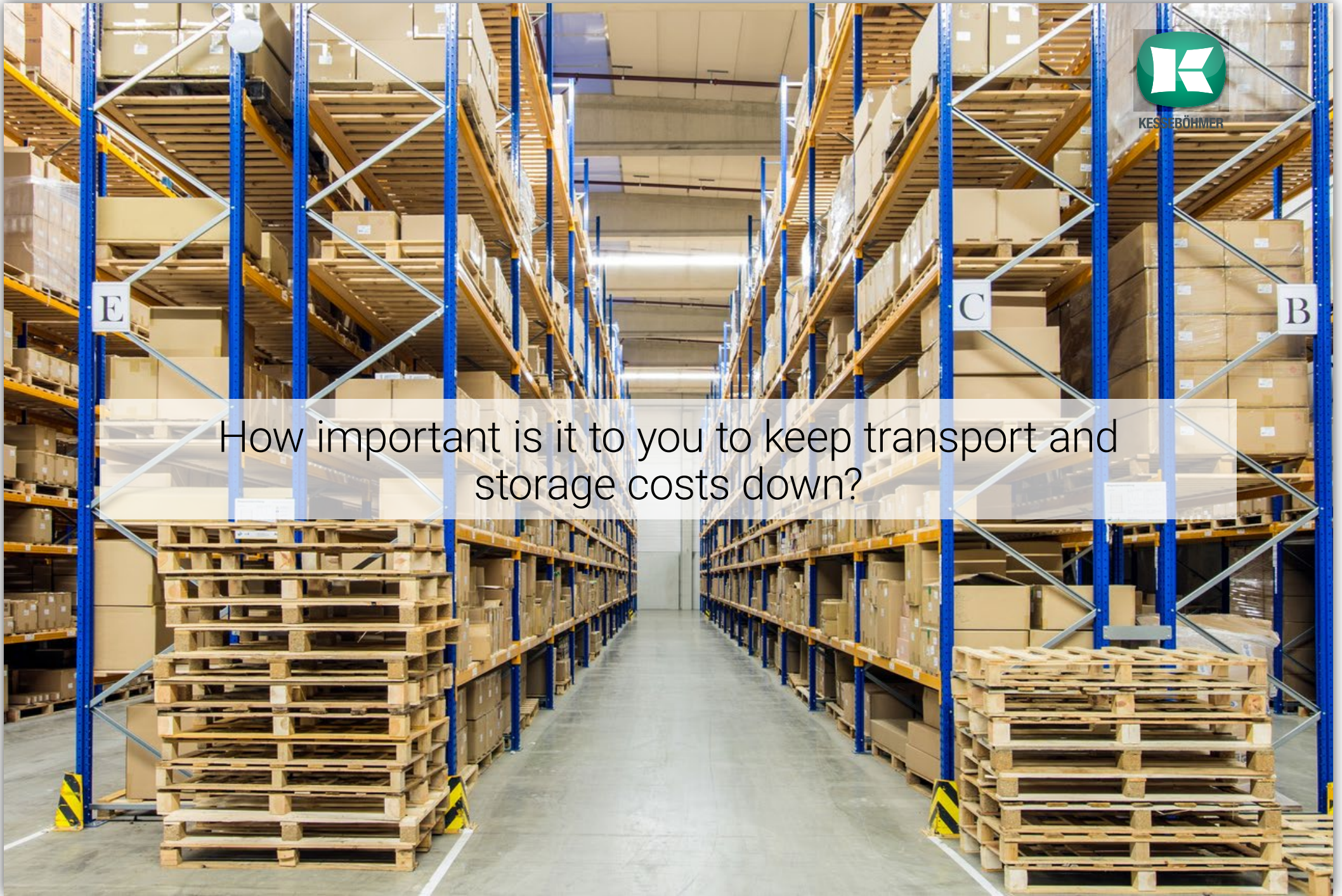


What is the significance of small kitchens these days?





How important is it to you to keep transport and storage costs down?





Should not the proven be replaced by the better?

Everything right at hand!

Everything a cook needs for fast food preparation is the DISPENSA junior slim with YouboXx fittings, ensuring all the important tools are within reach.

The chopping board and knives for chopping meat and vegetables. Then the oil for frying in one easy movement. Last of all, seasoning with spices out of the DISPENSA junior slim.

No need to spend ages looking for things. Everything right at hand.



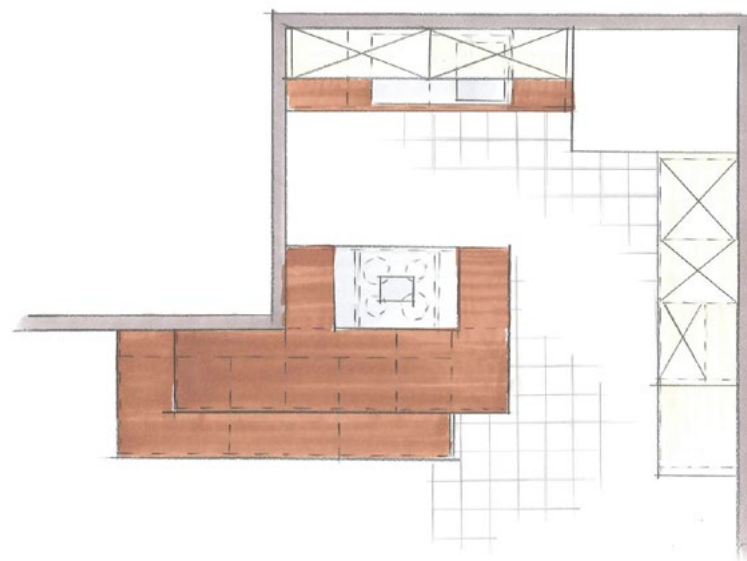
Planning is dead easy!

When it comes to planning, is it better to place the 30 cm on the right so that it's nearer the hob and therefore quicker and easier to access?

Or on the left, so that the design of the front is more consistent?

Having to exchange fittings time and again so that access is on the right side.
Or hassle on the construction site when the wrong pull-out is still delivered.

All of this is a thing of the past with the DISPENSA junior slim. Access from both sides means that the decision can even be made on the construction site as to how to position the unit.



New addition to the
DISPENSA family
The DISPENSA junior slim
is a new addition to the
successful DISPENSA
junior concept with even
slimmer base cabinets.



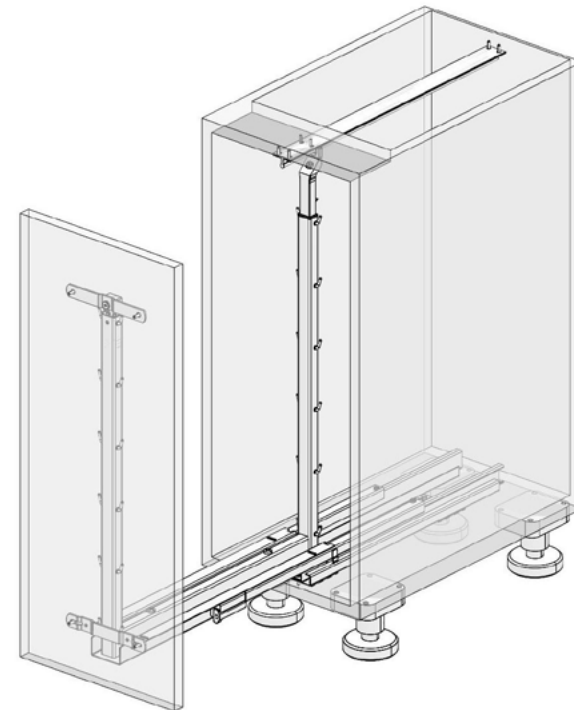
One for all. A single fitting type covers cabinet widths of 150mm to 400mm. Only the trays change.





By the used **drawer runners** much better running characteristics are achieved than with typical ball bearing runners.

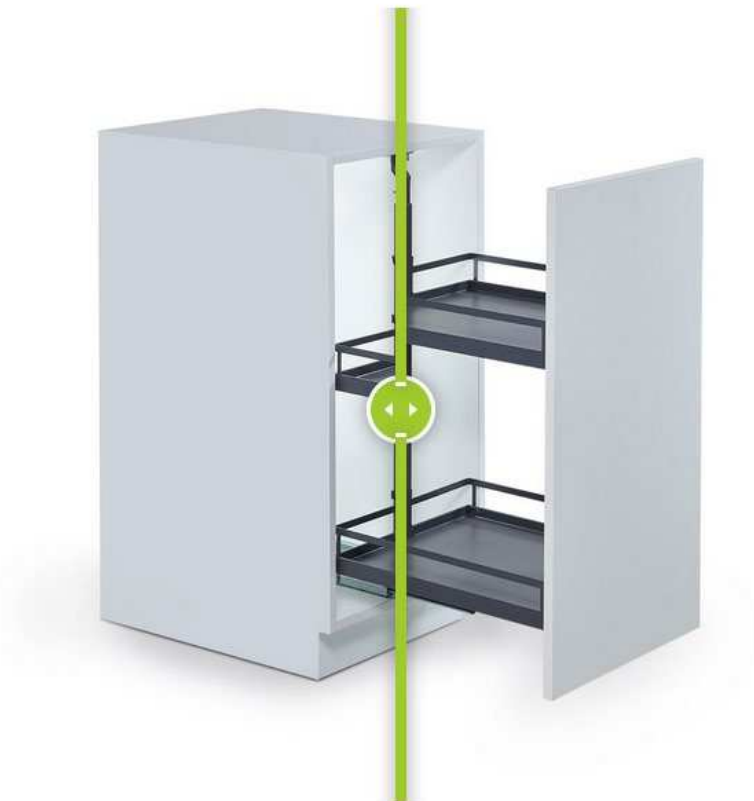
The construction as a **center guided fitting** avoids the shear loading of one-side mounted fittings. This increases durability and the front remains perfectly adjusted for years.



By placing technology under the fittings and stabilising the carcass top, the DISPENSA junior slim makes optimum use of the width of **slim units**, which is particularly important for **small kitchens**.



The simple **height adjustment** of the trays means that the storage space can be individually adjusted to the storage items, such as a spice grinder



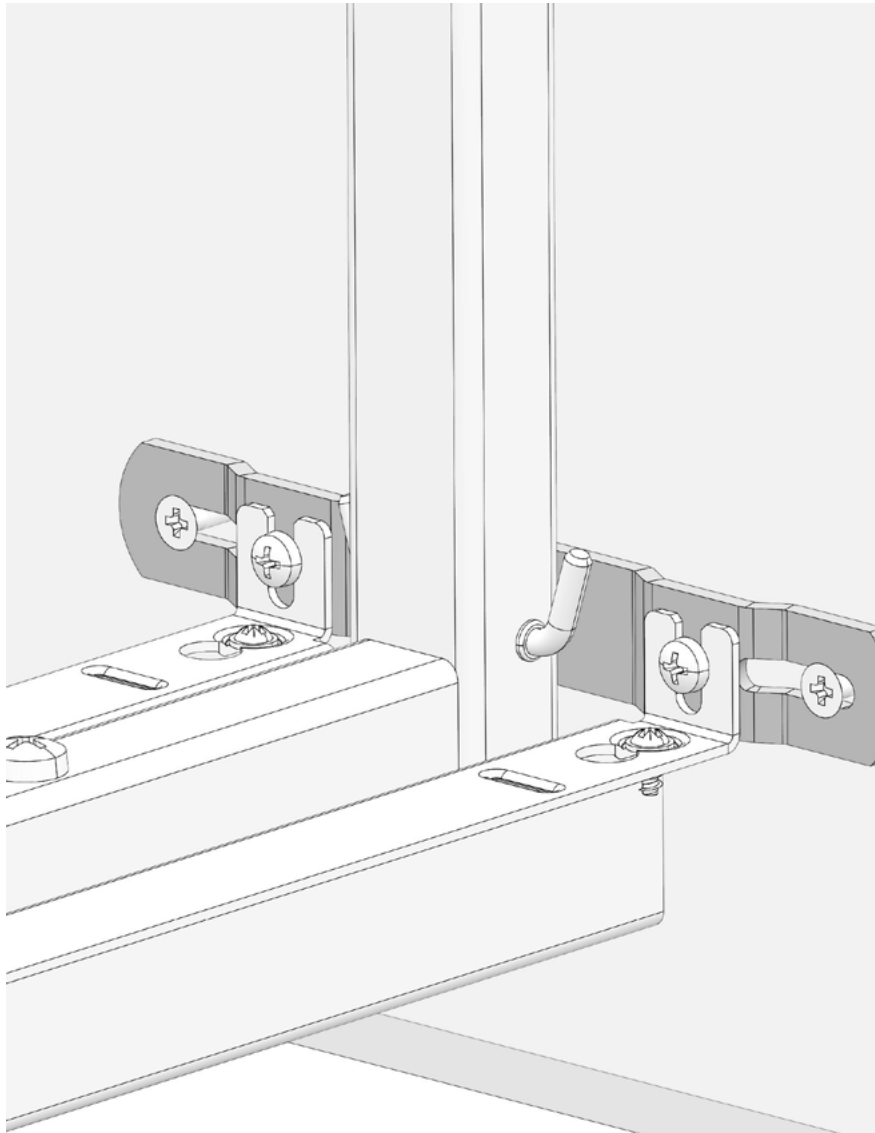


Access from both sides means that fittings can be **planned as you wish** and **mistakes can be avoided.**





YouboXxes make it easy to reconfigure the fittings to make a **themed cabinet**. This means that all your cooking utensils, for example, will be directly to hand.



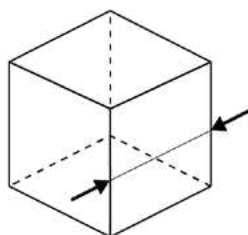
Fit for purpose

Developed for the craft, it has deliberately avoided some good but costly functions like ClickFixx and real-time adjustment.

The slim fitting cuts transport and storage costs considerably thanks to the **flat pack** packaging.

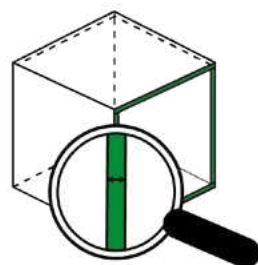


Cabinet dimensions

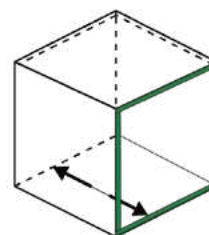


150 / 200 / 250 /
275 / 300 / 350 / 400

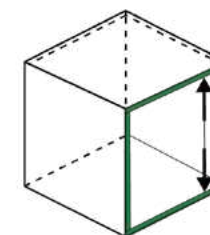
(For all DISPENSA Tray
dimensions from 150 till 400 mm
cabinet widths)



15 – 19 mm



≥ 490 mm



640 – 728 mm
695 – 793 mm

Catalogue tray widths

***150 mm only with special front connector.**



300 / 400 mm



150* / 200 / 300 / 400 mm



150* / 200 / 300 / 400 mm

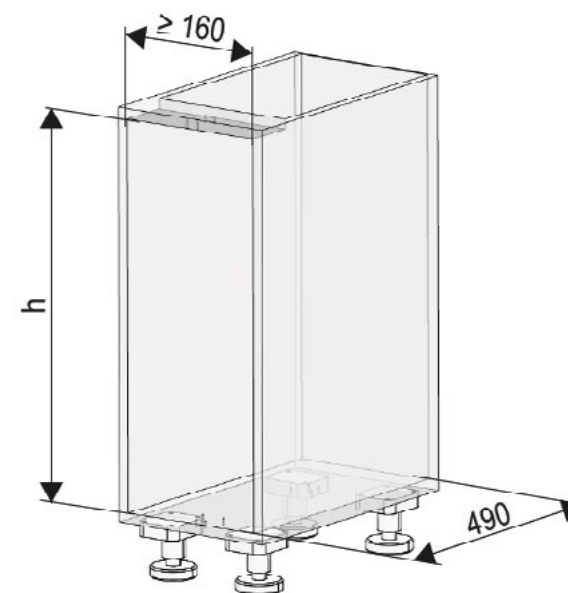
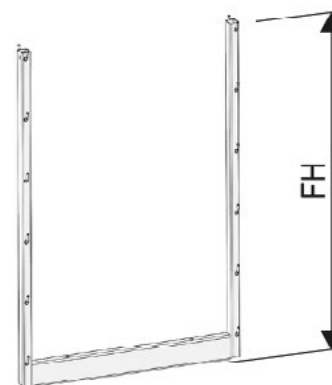


150* / 300 / 400 mm

Dimension and frame heights

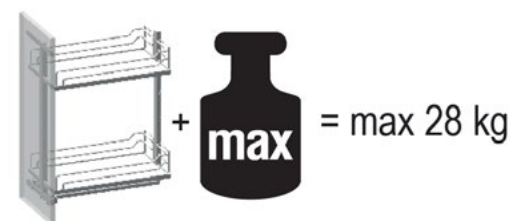
- ▶ Two frame heights
- ▶ Frame height 551 mm is perfect for 720 mm and 750 mm high Front panels.
- ▶ Frame height 606 mm is perfect for 780mm high Front panels

FH	h
551	640-728
606	695-783



Payload and system weight

- ▶ System weight: 28 kg
- ▶ Load capacity per tray: 12 kg



Side stability through top connection

- ▶ The aluminum profile and the telescopic traverse create very high lateral stability.
- ▶ As a result, cabinet widths of 150 to 400 mm are possible.
- ▶ The profile is screwed to the top
- ▶ The telescope traverse is tool-free height-adjustable to allow different clear cabinet heights.
- ▶ By using Teflon as a sliding element, there is no impairment of the running properties of the fitting.



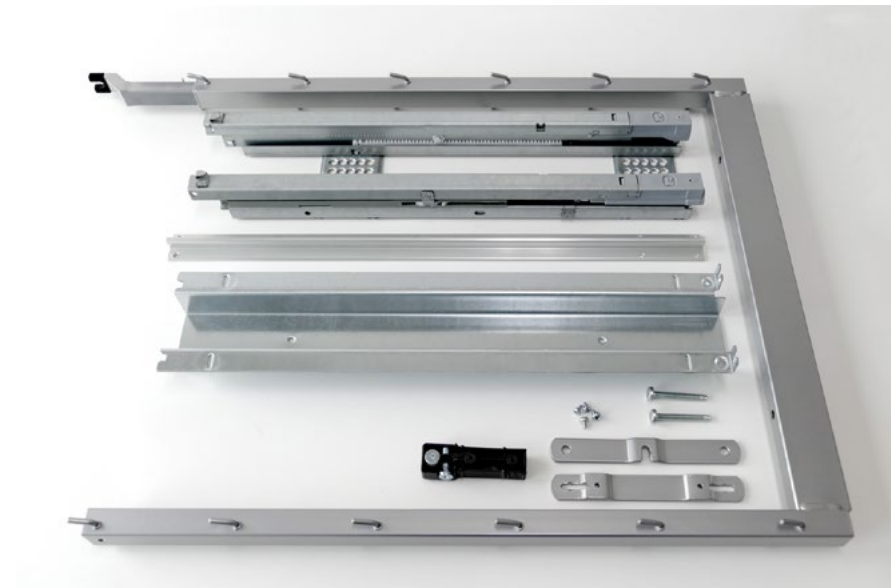
Kesseböhmer S

- ▶ **Bottom mounted**
- ▶ **Soft-close**
- ▶ **With screw connection**



Set of separate parts

- ▶ To achieve the small flat pack packaging, no extensive pre-assembly has been carried out.
- ▶ **However, assembly is very straightforward.**



Different front connectors



Frontconnector

- ▶ 200 mm front connector can be used for any unit width.



Frontconnector for frame fronts

- ▶ Separate sizes are available for 300 mm and 400 mm units with frame fronts.

150 mm base cabinet

- ▶ With a special front connector also 150mm wide cabinets are possible.
- ▶ So ARENA Design (ARENAclassic, ARENAstyle und ARENApure) in a 150 mm wide Cabinet is possible.
- ▶ Necessary clear cabinet width: 110mm
- ▶ The front connector is only implemented after proven market demand.



Height-adjustable front connector

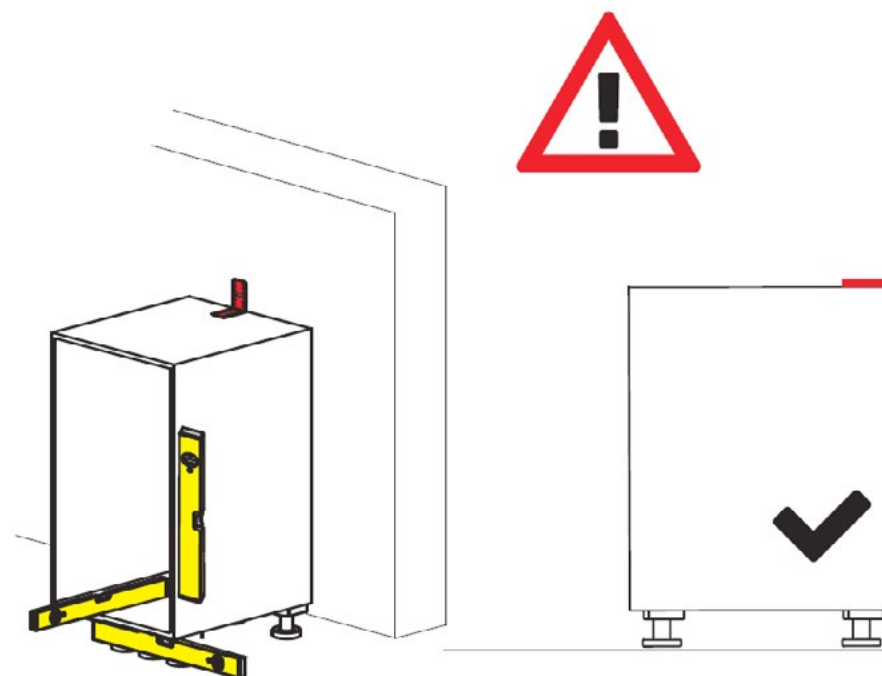
- ▶ If the top front panel bracket threatens to collide with a handle, the bracket can be attached 32 mm higher.
- ▶ This avoids the need to countersink screws.



Preparation

Prior to assembly, attention must be paid to the following:

- ▶ The cabinet must be aligned
- ▶ The cabinet must be secured to the wall



Pre-assembly of frame

The frame must be prepared.

- ▶ Mount the upper front connection
- ▶ Mount the top connection



Assembly of runners

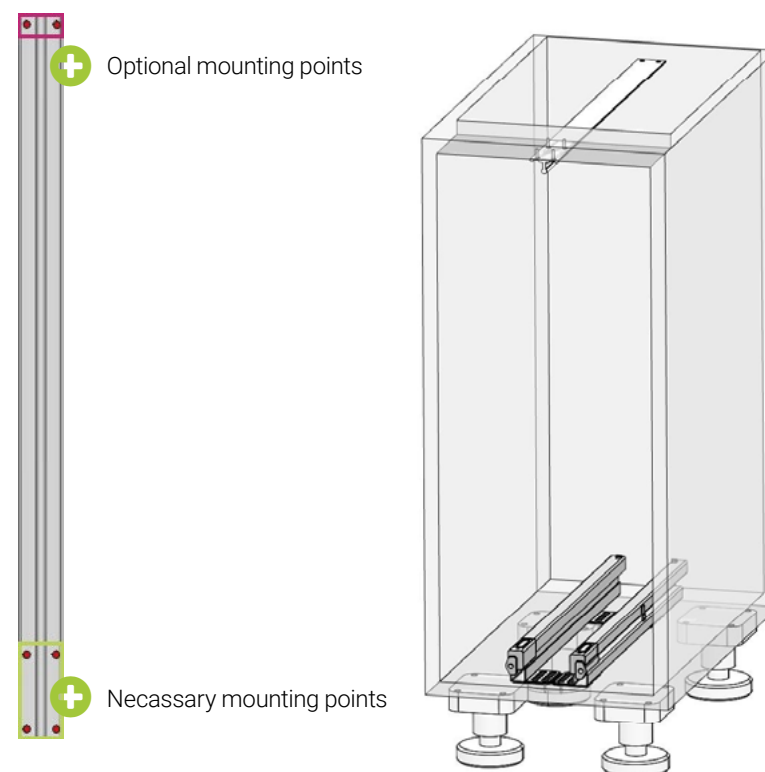
1. Assembly of the aluminium profile in the unit.

It is sufficient for the aluminium profile to be attached to the bar at the front only. The rear holes are optional, in case there is a closed top.

2. Assembly of the runners in the unit.

IMPORTANT

To prevent the runners from getting dirty, the aluminium profile should always be installed first.

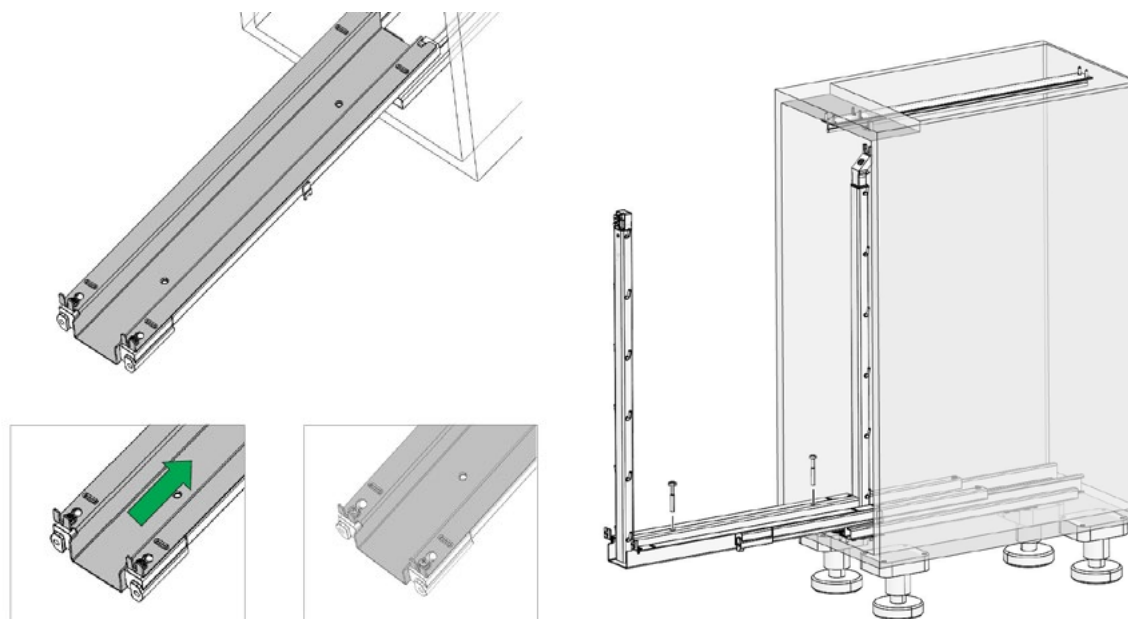


Assembly of the frame

3. Assembly of the support plate onto the rails

4. Assembly of the prepared frame onto the support plate

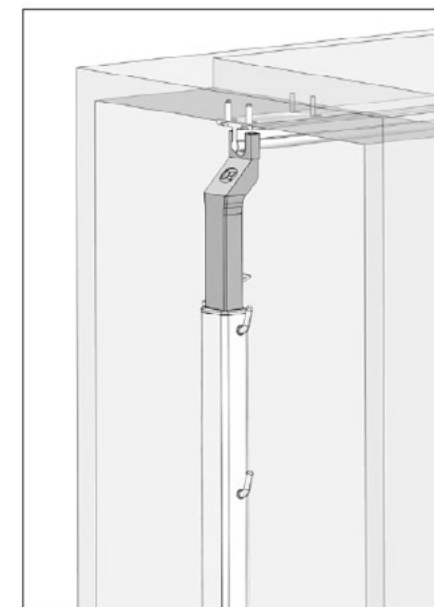
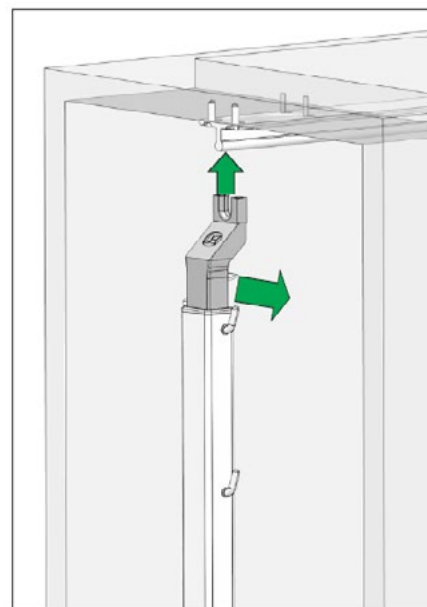
- ▶ The pre-assembly of the support plate means this is fixed and makes it easier to assemble the frame.



Adjusting the telescopic runner

5. Adjusting the telescopic runner

- ▶ Press on the latch to unlock
- ▶ Pull the telescopic runner up.



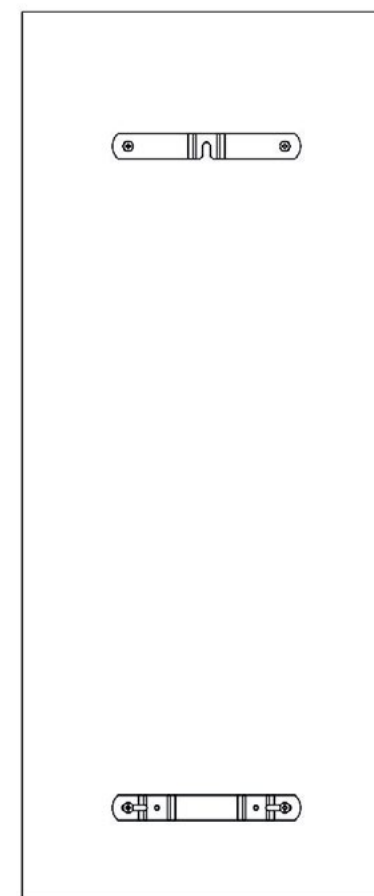
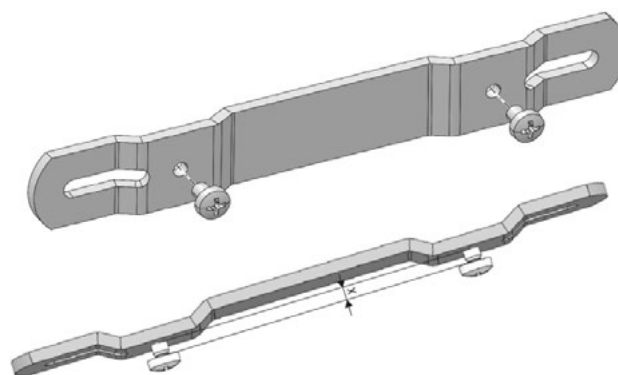
Assembly of front panel

6. Assembly of the front connector to the front panel

If it is not a frame front, the 200 mm front connector can be used.
Only until delivery January 2020.
After that, pre-assembly.

7. Assembly of the fixing screws to the front connector.

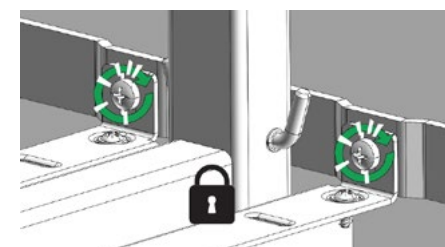
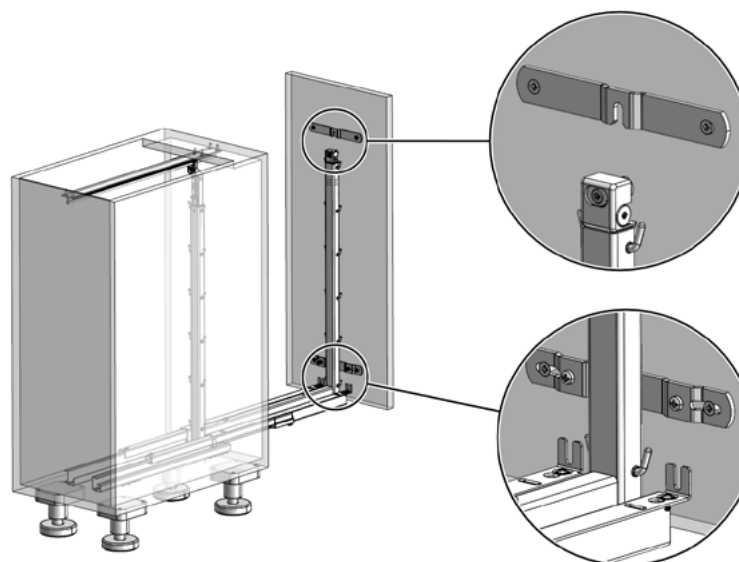
The fixing screws must only be screwed in half way.



Assembly of front panel

8. Insert the front panel into the mounting.

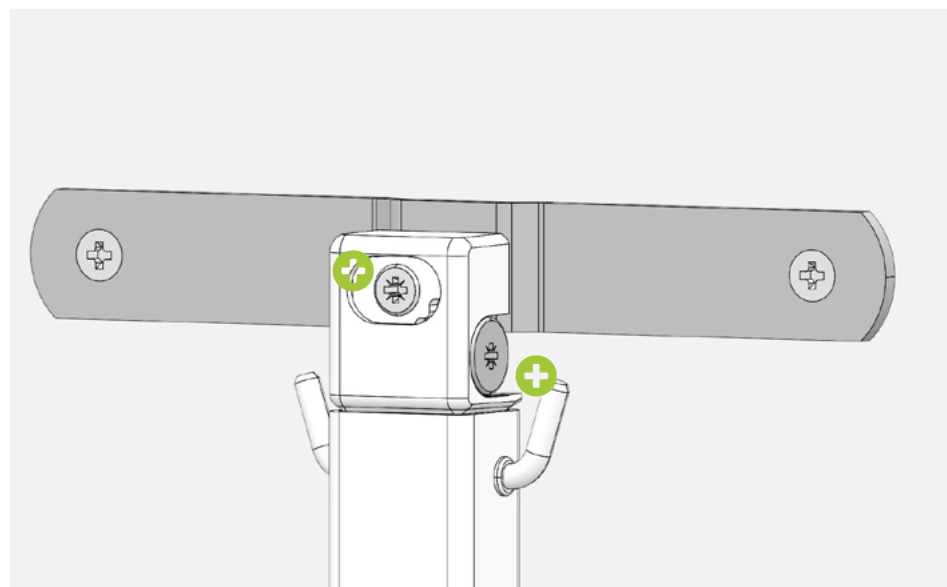
9. Tighten the fixing screws



Alignment - 5D front panel adjustment

The unit can be adjusted in four dimensions.
Above you can see the adjustment for

- ▶ Incline
- ▶ Horizontal adjustment (upper section)



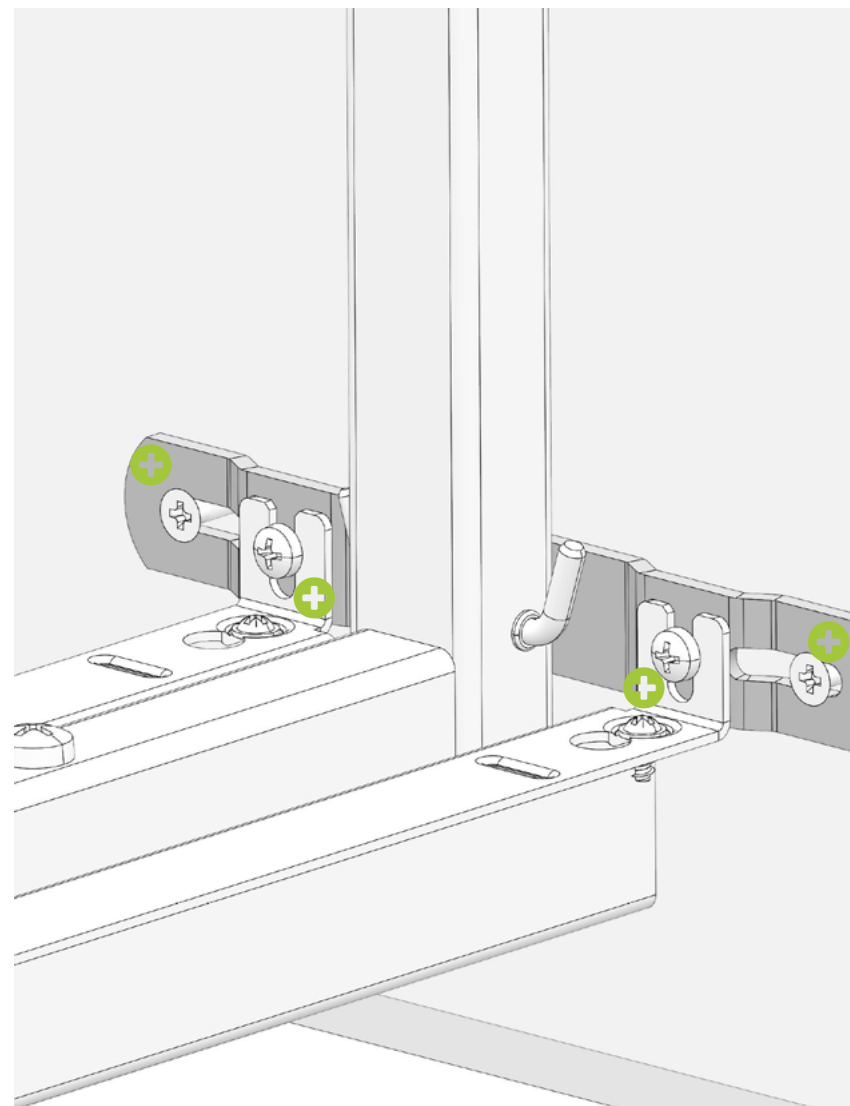
Alignment - 5D front panel adjustment

The unit can be adjusted in five dimensions.
Below you can see the adjustment for

- ▶ Vertical adjustment
- ▶ Horizontal adjustment (lower section)

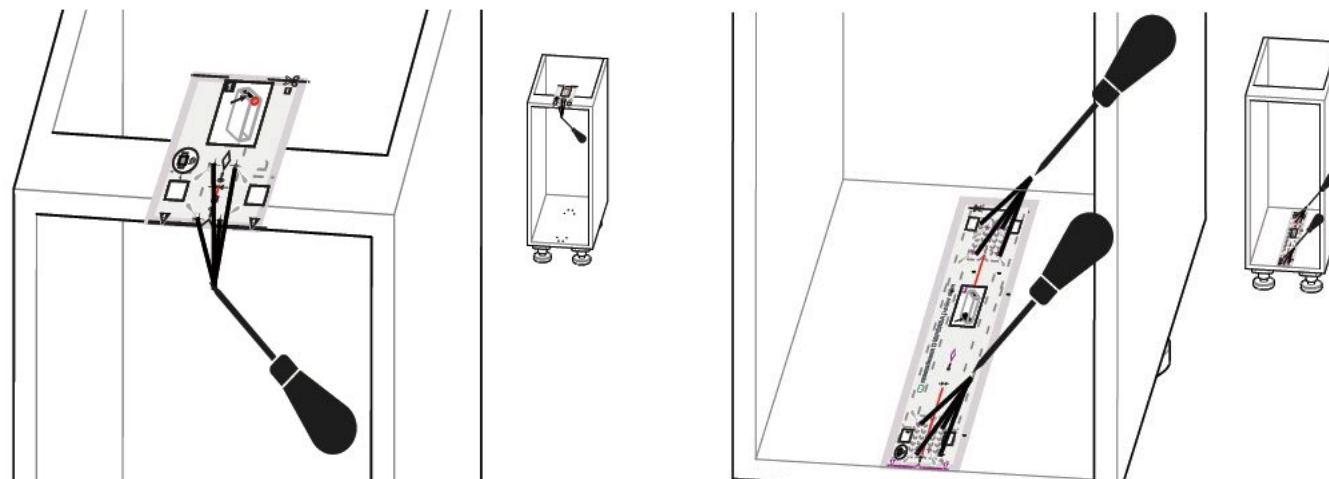
By adjusting the upper and lower sections horizontally in opposite directions, the fittings can be rotated.

- ▶ Rotating



Drilling template

- ▶ Divide the drilling template
- ▶ Punch at the top
- ▶ Punch at the bottom



Key arguments at a glance

DISPENSA junior slim

**OVERVIEW AND
TRANSPARENCY**

.....

The DISPENSA junior slim brings the overview of the DISPENSA to base units.

**THE UNIT FOR YOUR
USE**

.....

YouboXxes mean that everything you need for cooking and cutting is stored in one place.

**PLANNING MADE
SIMPLE**

.....

With access from both sides and no right/left versions, planning errors will be a thing of the past.

**BEST FOR NARROW
UNITS**

.....

The height adjustment of the trays and maximum use of width means the best possible use is made of the unit.

**LOW LOGISTICS
COSTS**

.....

One frame for all widths and flat pack packaging mean lower storage and transport costs.

**PART OF THE
DISPENSA FAMILY**

.....

Consistent unit design by using DISPENSA trays.

Availability

DISPENSA junior slim

▶ Available

18 SA